



ADDENDUM NO. 2 - OUTLINE AND SUMMARY INFORMATION

Project Name: Parking Improvements 2023

PPA No.: 22-0012

Date: 5/30/23

Owner: Montana State University – PDC

P.O. Box 172760

Bozeman, Montana 59717-2760

To: All Plan Holders of Record

*The Plans and Specification prepared by **DJ&A** dated **May 6th, 2023**, shall be clarified and added as follow. The bidder proposes to perform all the following clarifications or changes. It is understood that the Base Bid shall include any modification of Work or Additional Work that may be required by reason of the following change or clarifications.*

Bidders are to acknowledge the receipt of this Addendum by inserting its number and date into their Bid Forms. Failure to do so may subject the Bidder to disqualification. This Addendum forms part of the Contract Documents as if bound therein and modifies them as follows:

AMENDMENTS TO THE PROJECT MANUAL

- A. Revised Bid Proposal
- B. Revised 011000 – Project Summary
- C. Revised 012300 – Alternates
- D. Removal of 02234 – Sub Base Course

AMENDMENTS TO THE DRAWINGS

- A. Removal of Grant Chamberlain Sheets CD1-3, CP1-3, CG1-3, CU1-1,
- B. Removal of detail F/C5-1
- C. Removal of detail D/C5-2
- D. Revised detail A/C5-3
- E. Removal of detail D/C5-3

ATTACHMENTS

- F. Addendum No.1



BID PROPOSAL
PARKING IMPROVEMENTS 2023
PPA No. 22-0012

TO:
 State of Montana, Montana State University
 University Facilities Management
 Attn: Contract Administrator
 Plew Building, 6th & Grant,
 PO Box 172760
 Bozeman, Montana 59717-2760

Prospective Bidders:

The undersigned, having familiarized themselves with the Contract Documents, site, location, and conditions of the Work as prepared by **DJ&A, 220 W Lamme Street, Bozeman, MT 59715, (406) 721-4320**, by submission of this Bid Proposal, hereby agrees to provide all materials, systems, equipment and labor necessary to complete the Work for the total sum as follows:

	Item	Quantity	Unit	Unit Price	Cost
M1	MOBILIZATION	1	LS		
A1	TEMPORARY TRAFFIC CONTROL	1	LS		
A2	SOIL EROSION AND POLLUTION CONTROL	1	LS		
A3	REMOVE EXISTING ASPHALT	6226	SY		
A4	REMOVE EXISTING CURB & GUTTER	507	LF		
A5	REMOVE EXISTING CONCRETE SIDEWALK	554	SY		
A6	REMOVE EXISTING ELECTRIC POSTS	16	EA		
A7	REMOVE & REINSTALL ELECTRIC POSTS	4	EA		
A8	REMOVE LIGHT POLES	4	EA		
A9	REMOVE EXISTING SIGNS	3	EA		
A11	REMOVE EXISTING WHEEL STOPS	99	EA		
A12	REMOVE & REINSTALL EXISTING WHEEL STOPS	28	EA		
A13	ASHPALT PAVEMENT	56037	SF		
A15	CRUSHED BASE COURSE, 3/4" MINUS	2075	CY		
A16	SUB-BASE COURSE, 3" MINUS	0	CY		

A17	TYPICAL INTEGRAL CURB AND GUTTER	585	LF		
A18	CONCRETE (SIDEWALKS)	91	SY		
A20	CRUSHED BASE COURSE, 1" MINUS	83	CY		
A21	INSTALL LIGHT POLES	4	EA		
A23	PLACEMENT OF 3 4" HDPE CONDUIT	530	LF		
A24	ADA RAMP & SIDEWALK IMPROVEMENTS	3	EA		
A25	ADA SIGNS	5	EA		
A26	"SERVICE VEHICLES ONLY" OR "NO PARKING SIGN INSTALLATION	4	EA		
A27	PERMANENT PAVEMENT MARKINGS - 4" STRIPING	2076	LF		
A28	PERMANENT PAVEMENT MARKINGS - NO PARKING STRIPING	2529	SF		
A29	PERMANENT PAVEMENT MARKING - CURB STRIPING	50	LF		
A30	48" ID DRY WELL STORM DRAIN STRUCTURE	1	EA		
A31	DRY WELL GRATE ASSEMBLY	1	EA		
A32	3"-8" WASHED DRAIN ROCK	13	CY		
A33	GEOTEXTILE	62049	SF		
A34	EXISTING MANHOLES TO ADJUST	3	EA		
A35	EXISTING WATER VALVE BOXES TO ADJUST	4	EA		
A36	REMOVE & REINSTALL UNDERGROUND ELECTRIC	770	LF		
	Total for all unit Prices				\$

BASE BID:

_____ and _____ /100 DOLLARS
 (ALPHA notation) \$ _____ (NUMERIC notation)

ALTERNATE NO. 1: DEDUCT PAISLEY WEST ADA IMPROVEMENTS

THE BIDDER AGREES TO **DEDUCT** THE SPECIFIED SCOPE OF WORK FOR THE TOTAL SUM OF:

_____ and _____ /100 DOLLARS
 (ALPHA notation) \$ _____ (NUMERIC notation)

ALTERNATE NO. 2: DEDUCT FUTURE USE CONDUIT INSTALLATION

THE BIDDER AGREES TO **DEDUCT** THE SPECIFIED SCOPE OF WORK FOR THE TOTAL SUM OF:

_____ and _____ /100 DOLLARS

(ALPHA notation)

\$ _____

ALTERNATE NO. 3: DEDUCT REINSTALLATION OF ELECTRIC POSTS

THE BIDDER AGREES TO **DEDUCT** THE SPECIFIED SCOPE OF WORK FOR THE TOTAL SUM OF:

_____ and _____ /100 DOLLARS
(ALPHA notation) \$ _____

(NUMERIC notation)

This bidder acknowledges receipt of the following addenda:

ADDENDUM No.:	_____	Dated:	_____
ADDENDUM No.:	_____	Dated:	_____
ADDENDUM No.:	_____	Dated:	_____

By signing below, the bidder agrees to all terms specified and AGREES TO fulfill the requirements of the CONTRACT in strict accordance with the bidding documents.

Company Name: _____

Signature**: _____

Print Name: _____

Title: _____

Business Address: _____

Construction Contractor
Registration No.: _____

Phone No.: _____

Fax No.: _____

Email: _____

Date.: _____

** Must meet the requirements of paragraph 6.9 of the Project Manual.

SECTION 011000 SUMMARY

1.1 PART 1 - GENERAL

A. Related Documents

1. Drawings and general provisions of Contract, including General Conditions, Supplemental Conditions and other Division 1 Specification Sections, apply to this Section.

B. Project Description

1. The project aims to reconstruct three existing parking lots to improve their functionality and safety. Additionally, stormwater improvements will be made to mitigate any potential flooding and improve drainage in the area. The project will be carried out in accordance with all relevant codes, regulations, and best practices. It will be designed to minimize disruption to the surrounding area and provide a safe and functional parking lot that meets the needs of Montana State University (MSU).

C. Site Information

The extent of reconstruction for each lot is as follows:

1. Paisley Court East

- a. Parking Lot Reconstruction: The existing parking lot will be reconstructed to provide a safer and more efficient space for vehicle parking. This will include grading, excavation, installation of a new asphalt surface, and pavement markings of the lot.
- b. Curb and Gutter Installation: The existing islands will be removed and new islands to be replaced. Curb and Gutter disturbed by the placement of conduit and necessary for ADA improvements will also be replaced.
- c. Stormwater Improvements: To mitigate any potential flooding and improve drainage in the area. This will include a dry well installation.
- d. Electric Pole Removal: The existing electric boxes mounted to poles for the purpose of block heater plug in, placed in the current asphalt area will be removed and salvaged. Eight (8) electric boxes will be re-purposed with two (2) placed in Paisley East. The rest will be salvaged and assessed for placement at Grant Chamberlain.
- e. Future Conduit Installation: Three (3) 4" HDPE Conduit will be placed for the purpose of future use.
- f. ADA improvements: Three (3) ADA stalls will be added to the lot to improve accessibility. This will include the addition of ADA ramps and access aisles.

2. Paisley Court West

- a. Parking Lot Reconstruction: The existing parking lot will be reconstructed to provide a safer and more efficient space for vehicle parking. This will include grading, excavation, installation of a new asphalt surface, and pavement markings of the lot.

- b. Curb and Gutter Installation: The existing islands will be removed and new islands to be replaced. Curb and Gutter disturbed by the placement of conduit and necessary for ADA improvements will also be replaced.
- c. Electric Pole Removal: The existing electric boxes mounted to poles for the purpose of block heater plug in, placed in the current asphalt area will be removed and salvaged. Eight (8) electric boxes will be re-purposed with two (2) placed in Paisley West. The rest will be salvaged and assessed for placement at Grant Chamberlain.
- d. Future Conduit Installation: Three (3) 4" HDPE Conduit will be placed for the purpose of future use.
- e. ADA improvements: Two (2) ADA stalls will be added to the lot to improve accessibility. This will include the addition of ADA ramps and access aisles.

D. Contracts

- 1. Contracts shall be under one General Contract and shall include, but not be limited to, all labor, materials, and supervision necessary to furnish and install the Work.

E. Work Sequence

- 1. The work shall be conducted in one phase to align with MSU's Summer academic calendar with construction commencing by August 16th, 2023.
- 2. Submit a detailed Gantt chart construction schedule to MSU for approval prior to beginning work.
- 3. Field verify dimensions indicated on drawings before fabricating or ordering materials. Do not scale Drawings.
- 4. Notify MSU of any existing conditions differing from those indicated on the Drawings. Verify the existence and location of underground utilities within the area of the proposed work. Omission of an existing or previous abandoned utility location on the Drawings is not to be considered as its nonexistence. Inclusion of existing utility locations on the Drawings is not to be considered as its definite location. Do not remove or alter existing utilities without prior written approval.
- 5. The Contractor will have access to all locations from the date of receipt of the contract.

F. Contractor Use of Premises

- 1. Work on this contract is expected to be done during regular working hours Monday through Friday. Any variation from this will require prior approval of the Consultant and Owner.
- 2. All work must be coordinated with MSU at all times and MSU must be informed about any work impacting campus operations 72 hours or 3 working days in advance of work being conducted and shall require MSU approval.
- 3. General: Limit use of the premises to construction activities in areas indicated; allow for Owner/MSU occupancy and use by the public. Confine operations to areas within contract limits indicated. Portions of the site beyond areas in which construction operations are indicated are not to be disturbed.

4. Contractor shall conduct all his work in such a manner as to minimize the inconvenience and disruption of MSU's daily schedule.
5. Confine operations at the site to the areas permitted under the Contract. Portions of the site beyond areas on which work is indicated are not to be disturbed. Conform to site rules and regulations affecting the work while engaged in project construction.
6. Do not unreasonably encumber the site with materials or equipment. Confine stockpiling of materials to the areas designated by and approved by MSU. If additional storage is necessary, obtain and pay for such storage off-site.
7. Contractor shall establish a staging area for storage of materials and equipment.
8. The Contractor is to coordinate with MSU for the location of the job site trailer office.
9. Keep driveways and entrances serving the premises clear and available to MSU and MSU's employees, staff and visitors at all times, unless otherwise agreed by MSU. Do not use these areas for parking or storage of materials. Schedule deliveries to minimize space and time requirements for storage of materials and equipment on site.

G. Parking and Site Access

(See also Supplemental Conditions of the Contract for Construction.)

1. MSU Bozeman Vehicle Regulations state: "All students, faculty, staff, and visitors must register any motor vehicle they park on the University campus, for any reason. A visitor is anyone not defined as student, staff or faculty."
2. All Contractor and Contractor employees shall comply with Montana State University parking regulations. MSU parking permits can be purchased at the University Police Office located in the Huffman Building at Seventh Avenue and Kagy Boulevard. Violators of MSU Bozeman Vehicle Regulations may be ticketed and towed.
3. A maximum of three (3) Contractor Permits (or as agreed with MSU) will be made available to the Contractor for parking of essential vehicles within the designated parking lot (as designated on the Cover Sheet of the Contract Documents). Essential vehicles are vehicles used for delivery of equipment and tools required to be parked in close proximity to the construction area. All allowed vehicles only to be parked on hard surfaced areas within the Staging Area. All other Contractor and Contractor employee vehicles on campus shall be parked in designated parking lots to be agreed with MSU. No personal vehicles shall be parked at the project site in any event. If a driver of a vehicle not allowed to be parked at the project site must unload equipment, tools, or materials, the vehicle must be immediately thereafter move to a designated lot or leave campus.
4. Access and egress to and from the project site shall be coordinated with the owner. In cases where a different route must be used for a specific purpose, permission must be obtained from MSU. Access routes are for delivery of equipment, tools, and materials and not for parking.

H. Owner Occupancy

1. Full Owner/MSU Occupancy: The Owner/MSU will occupy the site during the entire construction period. Cooperate with MSU during construction operations to minimize conflicts and facilitate MSU usage. Perform the work so as not to interfere with MSU's operations.

I. Safety Requirements

1. General: The safety measures required by the Contract Documents are not meant to be inclusive. The Contractor shall be solely responsible for safety on a 24-hours-per-day, 7 days-per-week basis and shall take whatever additional measures are necessary to insure the health and safety of the buildings' occupants, or pedestrians at or near the construction site and access routes and of all other persons in all areas affected by the Contractor's activities. Prior to the start of construction, the Contractor is to submit to the Consultant, a detailed written plan specifying the safety procedures that will be followed. Include (but not by way of limitation) the following: Verbiage, size and locations of warning signs; construction sequence as related to safety; use of barricades (type and location); employee policies as related to safety; and delivery of materials as related to safety. Revise the safety plan as required during construction and resubmit to the Owner.
2. All application, material handling, and associated equipment shall conform to and be operated in conformance with OSHA safety requirements.
3. Comply with Federal, State, local, and the Owner's fire, health and safety requirements.
4. Advise MSU whenever work is expected to be hazardous or inconvenient (including objectionable odors) to MSU's employees, students, visitors or the building occupants.
5. Construction materials or equipment shall be placed so as not to endanger the work or prevent free access to all emergency devices or utility disconnects.
6. Maintain the proper rated fire extinguishers within easy access where power tools, sanding or other equipment is being used.
7. The Contractor shall erect and maintain, as required by law, conditions and progress of the work, warning signs, barricades and other reasonable safeguards for safety and protection.
8. **Emergency and Public Safety Alert System:**
Montana State University has an Emergency and Public Safety Alert System that warns the campus community in the event of an emergency or public safety event. Because contractors, consultants, and vendors are considered members of the campus community when working on campus, they must be familiar with the alert system and understand when the system is used. Montana State University requires all contractors, consultants, vendors, and their employees working on or entering the MSU-Bozeman campus to register for the Emergency and Public Safety Alert System. The link to register is: <http://www.montana.edu/msualert/>

J. Existing Premises Condition

1. The Contractor is responsible for adequately documenting in photos the existing condition of the premises, to include external road surfaces, curbing and landscaped areas, specifically the cleanliness of areas. Any

damage to the premises which is found after construction and is not so documented will be the responsibility of the Contractor to repair or replace.

K. Discrepancies in the Documents

1. The Contractor shall bring any discrepancies between any portions of the drawings and specifications to the attention of the Owner and the Consultant in writing. The Owner and Consultant shall review the discrepancy and clarify the intent desired in the Contract Documents. Unless specifically directed otherwise, the Contractor shall be obligated to provide the greater quantity or quality without any change in contract sum or time.

END OF SECTION 011000

SECTION 012300 ALTERNATES

PART 1 - GENERAL

1.1 RELATED DOCUMENTS

- A. Drawings and general provisions of the Contract, including General Conditions, Supplemental Conditions and other Division 1 Specification Sections, apply to this section. See also *Instructions to Bidders 10.3 Award of Bids*.

1.2 SUMMARY

- A. This Section includes administrative and procedural requirements for alternates.

1.3 DEFINITIONS

- A. Alternate: An amount proposed by bidders and stated on the Bid Form for certain work defined in the Bidding Requirements that may be added to or deducted from the Base Bid amount if Owner decides to accept a corresponding change either in the amount of construction to be completed or in the products, materials, equipment, systems, or installation methods described in the Contract Documents.
 - 1. The cost or credit for each alternate is the net addition to or deduction from the Contract Sum to incorporate alternate into the Work. No other adjustments are made to the Contract Sum.

1.4 PROCEDURES

- A. Coordination: Modify or adjust affected adjacent work as necessary to completely integrate work of the alternate into Project.
 - 1. Include as part of each alternate, miscellaneous devices, accessory objects, and similar items incidental to or required for a complete installation whether or not indicated as part of alternate.
- B. Notification: Immediately following award of the Contract, notify each party involved, in writing, of the status of each alternate. Indicate if alternates have been accepted, rejected, or deferred for later consideration. Include a complete description of negotiated modifications to alternates.
- C. Execute accepted alternates under the same conditions as other work of the Contract.
- D. Schedule: A Schedule of Alternates is included at the end of this Section. Specification Sections referenced in schedule contain requirements for materials necessary to achieve the work described under each alternate.

PART 2 - PRODUCTS (Not Used)

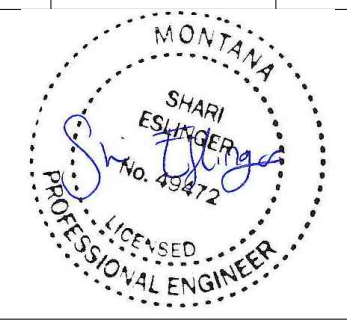
PART 3 - EXECUTION

3.1 SCHEDULE OF ALTERNATES

- A. Description of Alternates
 - 1. Paisley West ADA Improvements:
 - a. Remove from scope (DEDUCT)
 - 2. Future Use Conduit:
 - a. Remove from project scope (DEDUCT)
 - 3. Electric Posts:
 - a. Do not reinstall (DEDUCT)

END OF SECTION

DRAWN BY: L. OTTEY		
REVIEWED BY: K. GAUTHIER		
REV.	DESCRIPTION	DATE
1	GC ADDENDUM ADDITION	05/09/23
2	RE-BID REV	05/26/23



PPA#22-0012

COVER

SHEET
G10-1

DATE
05-26-23

PPA# 22-0012

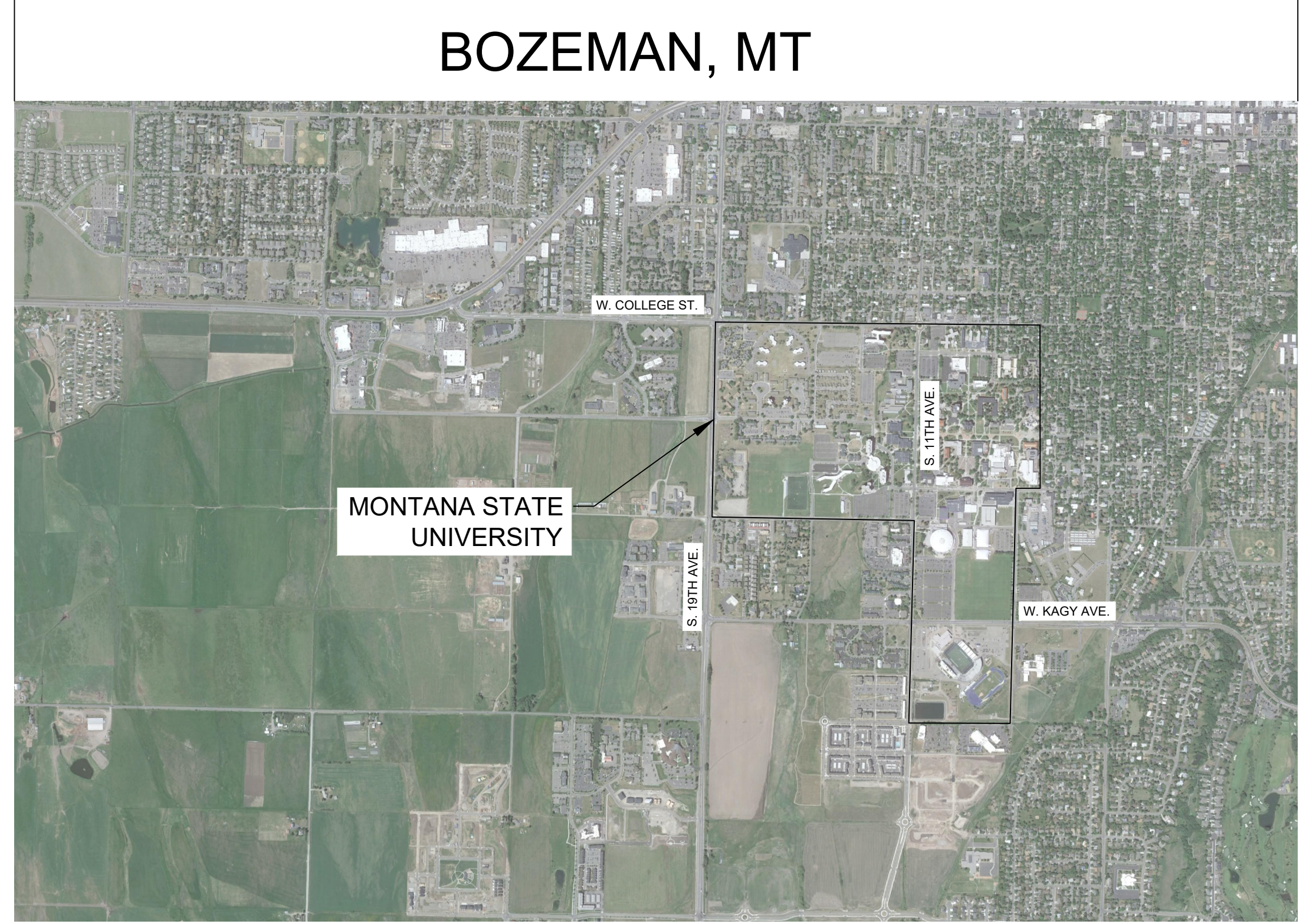
PARKING IMPROVEMENTS 2023

MONTANA STATE UNIVERSITY

BOZEMAN, MT



LOCATION MAP
NTS



VICINITY MAP
NTS

PREPARED FOR:

STATE OF MONTANA - MONTANA STATE UNIVERSITY
 UNIVERSITY FACILITIES MANAGEMENT, PLANNING,
 DESIGN & CONSTRUCTION
 PLEW BUILDING 6TH & GRANT
 PO BOX 172760
 BOZEMAN, MT 59717-2760
 PHONE: 406-994-5413
 FAX: 406-994-5665



PREPARED BY:

DJ&A
 220 WEST LAMME STREET, SUITE 1D
 BOZEMAN, MT 59715
 406-721-4320



SHEET INDEX:

Sheet Number	Sheet Title
GI0-1	COVER
GI0-2	NOTES, LEGEND, & ABBREVIATIONS
GI0-3	KEY MAP & SURVEY CONTROL
CD1-1	PAISLEY COURT WEST - DEMOLITION
CD1-2	PAISLEY COURT EAST - DEMOLITION
CP1-1	PAISLEY COURT WEST - SITE PLAN
CP1-2	PAISLEY COURT EAST - SITE PLAN
CG1-1	PAISLEY COURT WEST - GRADING
CG1-2	PAISLEY COURT EAST - GRADING
C5-1	DETAILS 1
C5-2	DETAILS 2
C5-3	DETAILS 3
C5-4	DETAILS 4
C5-5	DETAILS 5

No. 24, 2023 - 5/18/23 - 7:04 PM - PPA# 22-0012 - SHEET G10-1 - BOZEMAN, MT - 10/11/2023
 10/11/2023 10:11 AM - Project: 22-0012 - Parking Improvements - 10/11/2023 - 10:11 AM

GENERAL NOTES

1. CONDUIT WILL BE INSTALLED IN A JOINT UTILITY TRENCH WHEN FEASIBLE. TRENCH TO BE EXCAVATED BY THE CONTRACTOR AND SHALL CONFORM TO NORTHWESTERN ENERGY (NWE) AND MSU SPECIFICATIONS. THE WORKING CONTRACTOR WILL BE RESPONSIBLE FOR BACKFILLING & COMPACTING THE TRENCH.
2. UTILITIES: UTILITY LOCATIONS SHOWN ON THE PLANS ARE APPROXIMATE. NOT ALL UTILITIES ARE SHOWN. IT IS THE RESPONSIBILITY OF THE CONTRACTOR TO VERIFY LOCATIONS OF ALL UTILITIES THAT MAY BE IMPACTED BY THIS PROJECT.
3. WHERE CONDITIONS ENCOUNTERED WHICH APPEAR DIFFERENT FROM THOSE INDICATED ON THE PLANS OR IN THE SPECIFICATIONS, THE CONTRACTOR SHALL NOTIFY THE ENGINEER PRIOR TO THE PERFORMANCE OF WORK.
4. SPECIFICATIONS: ALL WORK SHALL CONFORM TO THE 7TH EDITION OF THE MONTANA PUBLIC WORKS STANDARD SPECIFICATIONS (MPWSS) & MODIFICATIONS THERETO. IN CASE OF A CONFLICT BETWEEN REGULATORY OR STANDARD SPECIFICATIONS, THE MORE STRINGENT REQUIREMENT WILL PREVAIL.
5. PERMITS & FEES: ALL PERMITS AND FEES REQUIRED FOR THIS PROJECT SHALL BE OBTAINED & PURCHASED BY THE CONTRACTOR. *PERMITS REQUIRED:* MONTANA DEQ SWPPP. OTHER PERMITS MAY BE REQUIRED AND SHALL BE DISCUSSED WITH THE ENGINEER.
6. EROSION CONTROL PLAN & STATE OF MONTANA SWPPP: THE CONTRACTOR WILL BE RESPONSIBLE FOR CREATING AND FILING A STATE OF MONTANA NOTICE OF INTENT (NOI) FORM AND STORM WATER POLLUTION PREVENTION PLAN (SWPPP) UNDER THE MONTANA POLLUTANT DISCHARGE ELIMINATION SYSTEM (MPDES) WITH THE MONTANA WATER QUALITY DIVISION FOR STORM WATER ASSOCIATED WITH CONSTRUCTION ACTIVITIES. ALL CONTRACTORS, INCLUDING THOSE SUBCONTRACTED BY THE GENERAL CONTRACTOR, SHALL COMPLY WITH THE APPROVED SWPPP.
7. DISPOSAL: ALL MATERIALS DESIGNATED FOR REMOVAL BECOME THE PROPERTY OF THE CONTRACTOR UPON REMOVAL AND ARE TO BE DISPOSED OF IN AN ENVIRONMENTALLY SAFE MANNER IN ACCORDANCE WITH ALL LOCAL, STATE & FEDERAL REQUIREMENTS.
8. EXISTING CONDITIONS AT THE SITE ARE THE RESPONSIBILITY OF THE CONTRACTOR & MUST BE FIELD VERIFIED BY THE CONTRACTOR.
9. NO STORAGE OF CONSTRUCTION MATERIALS AND/OR EQUIPMENT HAS BEEN DESIGNATED. THE CONTRACTOR SHALL BE RESPONSIBLE FOR THEIR OWN MATERIAL & EQUIPMENT STORAGE AREA.
10. THE CONTRACTOR SHALL PROTECT ADJACENT SITES FROM DAMAGE DURING CONSTRUCTION.
11. LOTS & STREET CLOSURES SHALL BE COORDINATED WITH & APPROVED BY MSU PARKING, MSU PLANNING, DESIGN, & CONSTRUCTION (PDC), & MSU FAMILY GRADUATE HOUSING STAFF 72 HOURS PRIOR TO CLOSURE.
12. ALL AREAS DISTURBED DURING CONSTRUCTION SHALL BE RESTORED TO EXISTING CONDITION OR BETTER AT THE CONTRACTOR'S EXPENSE.
13. THE CONTRACTOR SHALL MAINTAIN & PROVIDE A CLEAN & CLEARLY REDLINED SET OF AS-BUILT DRAWINGS TO THE ENGINEER PRIOR TO FINAL ACCEPTANCE.
14. CONTRACTOR SHALL REMOVE & DISPOSE OF ALL ABANDONED FACILITIES THAT ARE A RESULT OF THESE IMPROVEMENTS AS DESCRIBED HERE & IN SPECIFICATIONS.
15. REFER TO THE FOLLOWING DEFINITIONS FOR THE PLANS & SPECIFICATIONS:
 - 15.1. REMOVE: DETACH ITEMS FROM EXISTING CONSTRUCTION & LEGALLY DISPOSE OF THEM OFF-SITE UNLESS INDICATED TO BE REMOVED & SALVAGED OR REMOVED & REINSTALLED.
 - 15.2. REMOVE & SALVAGE: CAREFULLY DETACH FROM EXISTING CONSTRUCTION, IN A MANNER TO PREVENT DAMAGE, & DELIVER TO MSU.
 - 15.3. REMOVE & REINSTALL: DETACH ITEMS FROM EXISTING CONSTRUCTION, PREPARE FOR REUSE, & REINSTALL WHERE INDICATED.

ABBREVIATIONS

AASHTO	AMERICAN ASSOCIATION OF STATE HIGHWAY AND TRANSPORTATION
ADA	AMERICAN DISABILITY ACT
ASTM	AMERICAN SOCIETY FOR TESTING AND MATERIALS
AVE.	AVENUE
cf	CUBIC FEET
CL	CENTERLINE
CP	CONTROL POINT
DESC.	DESCRIPTION
EG	EXISTING GRADE
EL/ELEV	ELEVATION
EOA	EDGE OF ASPHALT
E	EXISTING
FETS	FLARED END TREATMENT SECTIONS
FG	FINISH GRADE
FH	FAMILY HOUSING
FL	FLOW LINE
FT	FEET/FOOT
HDPE	HIGH DENSITY POLYETHYLENE
INV	INVERT
LF	LINEAR FOOT
MAX	MAXIMUM
MIN	MINIMUM
MPDES	MONTANA POLLUTANT DISCHARGE ELIMINATION SYSTEM
MPWSS	MONTANA PUBLIC WORKS STANDARD SPECIFICATIONS
MSU	MONTANA STATE UNIVERSITY
MT	MONTANA
NAD	NORTH AMERICAN DATUM
NAV D	NORTH AMERICAN VERTICAL DATUM
NE	NORTHEAST
NTS	NOT TO SCALE
NWE	NORTHWESTERN ENERGY
PED	PEDESTRIAN
PPA	PHYSICAL PLANT ACCOUNT
R	RADIUS
ROW	RIGHT-OF-WAY
RPC	RED PLASTIC CAP
S =	SLOPE
SF	SQUARE FEET (FOOT)
SD	STORM DRAIN
SPC	STATE PLANE COORDINATE
SW	STORM WATER
SWPPP	STORM WATER POLLUTION PREVENTION PLAN
TC	TIME TO CONCENTRATION
TYP.	TYPICAL
TBC	TOP BACK OF CURB

LEGEND

	EXISTING ELECTRIC PEDESTAL OR JUNCTION BOX
	EXISTING OVERHEAD UTILITY POLE
	EXISTING LIGHT POLE
	EXISTING TELEPHONE PEDESTAL
	EXISTING MANHOLE COVERS
	EXISTING WATER HYDRANT
	EXISTING WATER VALVE
	EXISTING STORM SUMP OR CATCH BASIN
	EXISTING VEHICLE HEATER BLOCK PLUGINS
	EXISTING TREE
	EXISTING CURB STOPS
	EXISTING MAILBOX LOCATION
	EXISTING PLAYGROUND
	EXISTING PARK BENCH
	EXISTING STORM ROOF DROP INLET/OUTLET - POINT
	EXISTING BIKE RACK
	EXISTING WATER WELL OR PUMPING STATION
	EXISTING IRRIGATION WATER VALVE
	EXISTING DUMPSTER LOCATION
	EXISTING - OVERHEAD POWER
	EXISTING - CONCRETE HATCH & CONCRETE EDGE
	EXISTING - ASPHALT HATCH & ASPHALT EDGE
	PROPOSED - CONCRETE HATCH & CONCRETE EDGE
	PROPOSED - ASPHALT HATCH & ASPHALT EDGE



S. 19TH AVE.

S. 15TH AVE.

W. GARFIELD ST.

CP-3

CP-2

CP-1

PAISLEY COURT WEST PARKING LOT
SEE SHEETS:
CD1-1
CP1-1
CG1-1

PAISLEY COURT EAST PARKING LOT
SEE SHEETS:
CD1-2
CP1-2
CG1-2

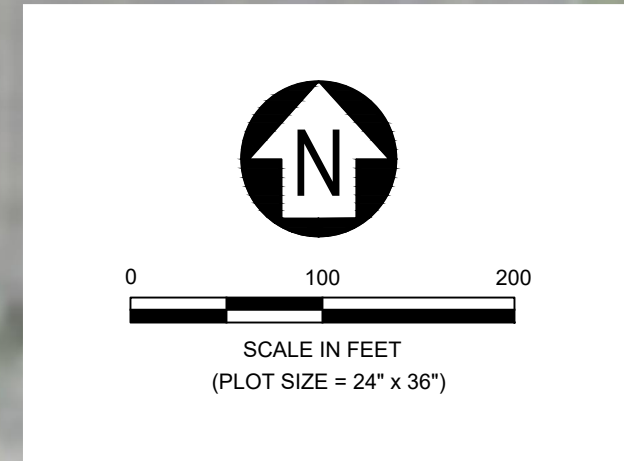
SURVEY NOTES
 COORDINATE SYSTEM: MT SPC 2500 @ GROUND

 HORIZONTAL/GEOMETRIC DATUM: NAD 83

 VERTICAL DATUM: NAVD 88

 PROJECTION: MT SPC BROUGHT TO GROUND AT CP 1.

CONTROL POINT TABLE				
POINT #	NORTHING	EASTING	ELEVATION	DESCRIPTION
CP-1	520612.15	1570192.20	4883.90	SET RPC ON 1/2" REBAR
CP-2	520620.05	1569869.43	4883.51	SET RPC ON 1/2" REBAR
CP-3	520627.39	1569592.69	4883.52	SET RPC ON 1/2" REBAR

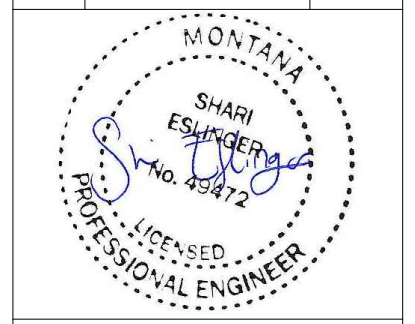


MSU-CPDC
 MONTANA STATE UNIVERSITY
 BOZEMAN, MONTANA
 PHONE: 406.994.5413
 FAX: 406.994.5665

PARKING IMPROVEMENTS
 2023



DRAWN BY: L. OTTEY		
REVIEWED BY: K. GAUTHIER		
REV.	DESCRIPTION	DATE
1	GC ADDENDUM ADDITION	05/09/23
2	RE-BID REV	05/26/23



PPA#22-0012

KEY MAP & SURVEY CONTROL

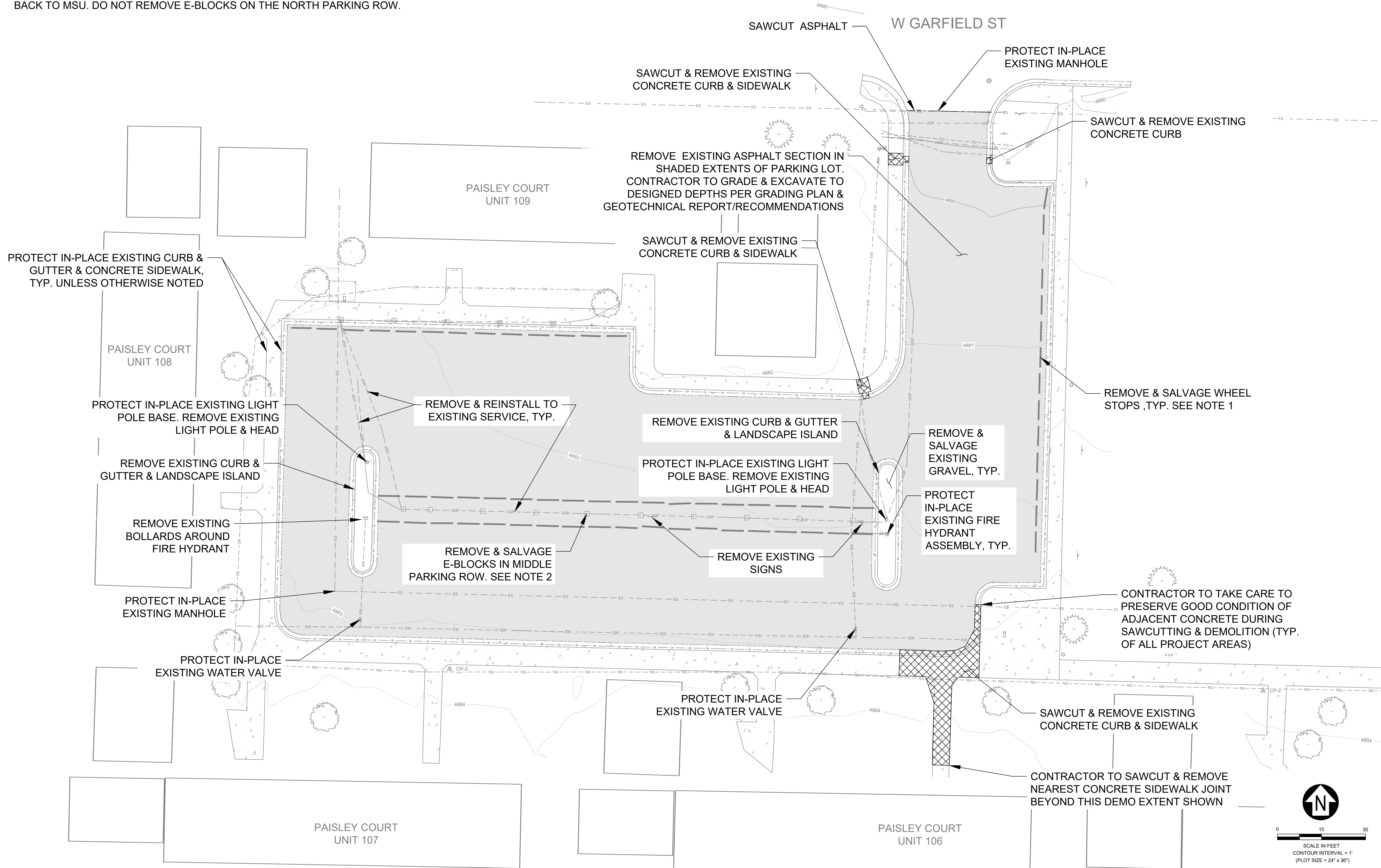
SHEET
G10-3

DATE
05-26-23

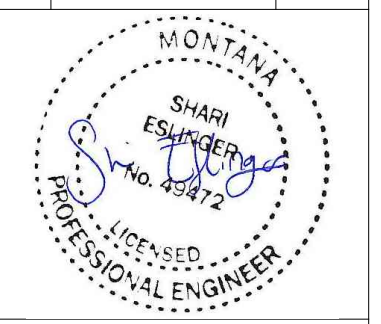
No. 24-2013-0100 - 7000 PAISLEY COURT PARKING LOT IMPROVEMENTS (SHEET 10 OF 10) - 05/26/23

NOTES:

1. ALL WHEEL STOPS WILL BE REMOVED & EXAMINED. THE 13 WHEEL STOPS IN THE BEST REPAIR WILL BE SELECTED & REINSTALLED ON THE EAST ROW. THE REMAINING WHEEL STOPS SHALL BE PROPERLY DISPOSED OF BY THE CONTRACTOR.
2. ALL E-BLOCKS IN THE MIDDLE ROW WILL BE REMOVED & EXAMINED. THE TWO BLOCKS IN THE BEST REPAIR WILL BE SELECTED & REINSTALLED ON EACH ISLAND AS DEPICTED ON SHEET CP1-1. THE REMAINING E-BLOCKS WILL BE SALVAGED BACK TO MSU. DO NOT REMOVE E-BLOCKS ON THE NORTH PARKING ROW.



REV.	DESCRIPTION	DATE



PPA#22-0012

PAISLEY COURT WEST - DEMO PLAN

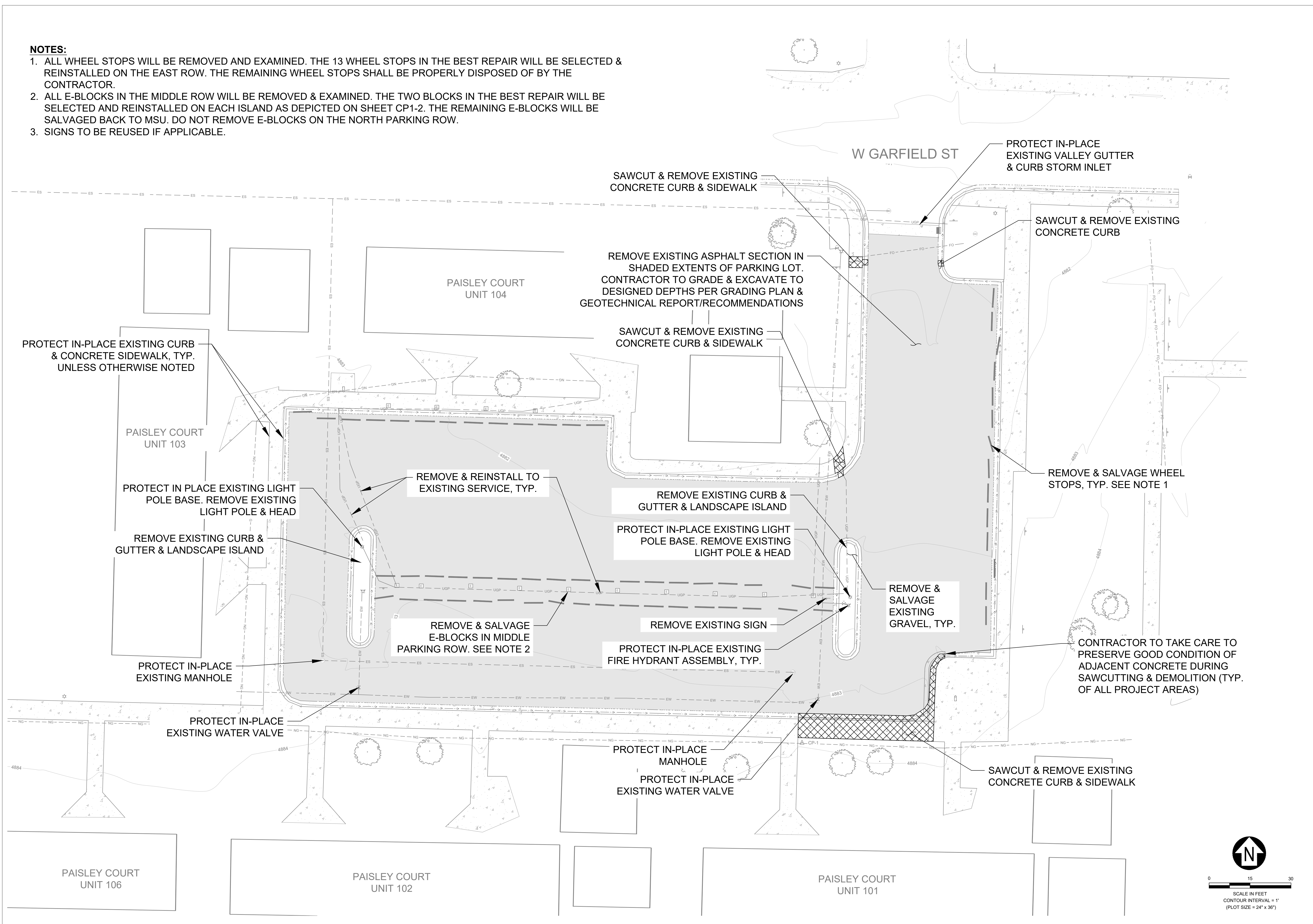
SHEET
CD1-1

DATE
05-05-23

NO. 24, 2013 - 10/2013 - 7/2014 PAISLEY COURT WEST - DEMO PLAN SHEET CD1-1 (REV. 05/23) DRAWN BY: L. OTTEY, CHECKED BY: K. GAUTHIER, DATE: 05/05/23

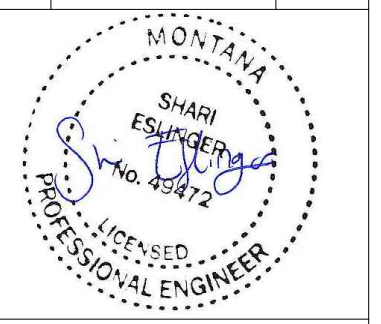
NOTES:

1. ALL WHEEL STOPS WILL BE REMOVED AND EXAMINED. THE 13 WHEEL STOPS IN THE BEST REPAIR WILL BE SELECTED & REINSTALLED ON THE EAST ROW. THE REMAINING WHEEL STOPS SHALL BE PROPERLY DISPOSED OF BY THE CONTRACTOR.
2. ALL E-BLOCKS IN THE MIDDLE ROW WILL BE REMOVED & EXAMINED. THE TWO BLOCKS IN THE BEST REPAIR WILL BE SELECTED AND REINSTALLED ON EACH ISLAND AS DEPICTED ON SHEET CP1-2. THE REMAINING E-BLOCKS WILL BE SALVAGED BACK TO MSU. DO NOT REMOVE E-BLOCKS ON THE NORTH PARKING ROW.
3. SIGNS TO BE REUSED IF APPLICABLE.



DRAWN BY: L. OTTEY
 REVIEWED BY: K. GAUTHIER

REV.	DESCRIPTION	DATE



PPA#22-0012

Paisley Court East - Demo Plan

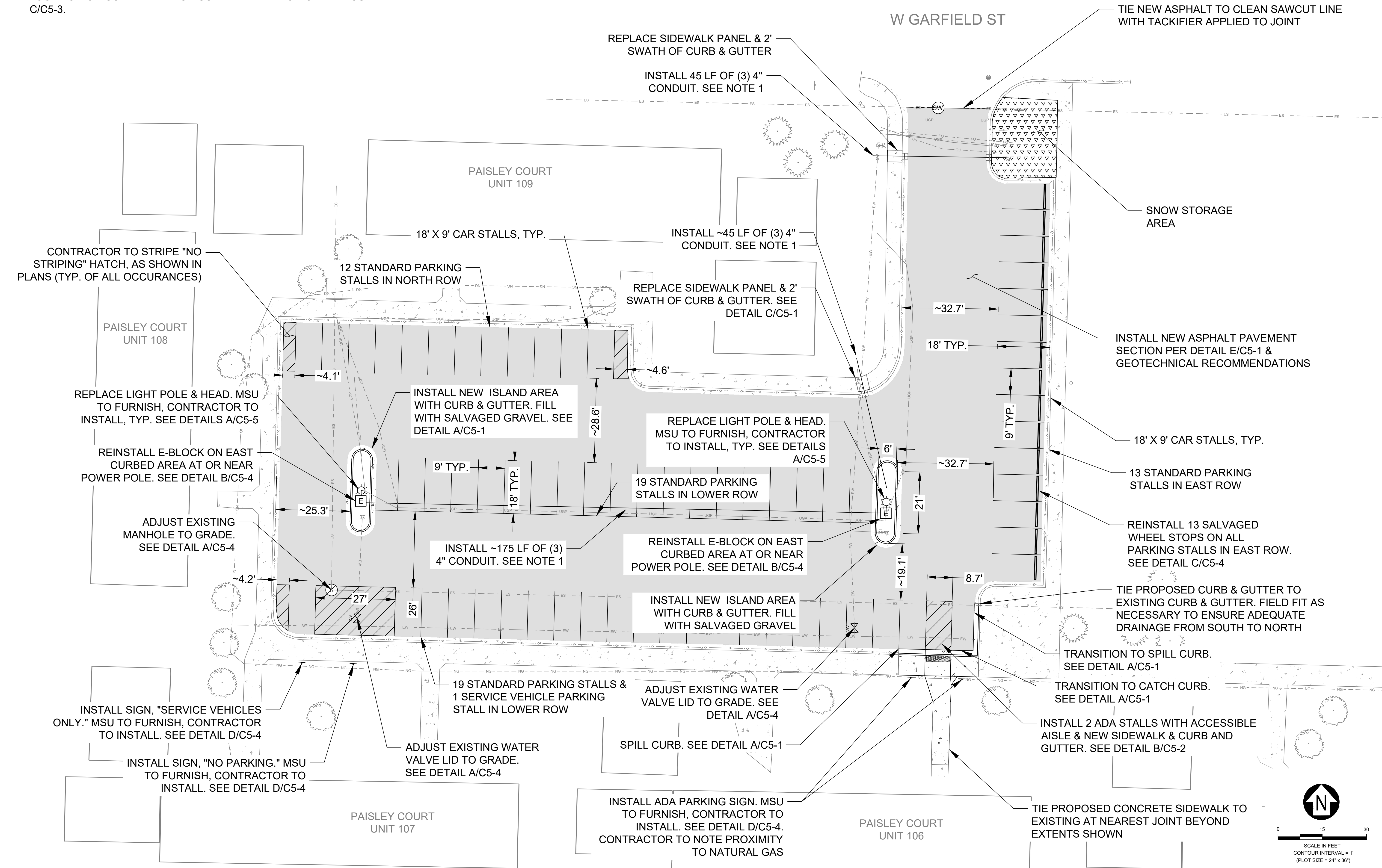
SHEET
CD1-2

DATE
 05-05-23

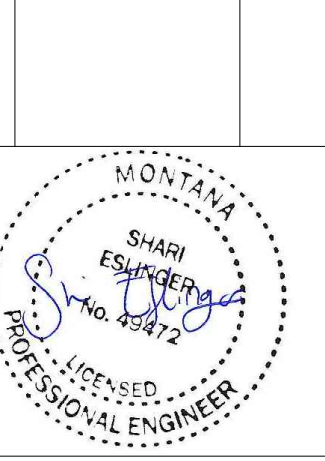
NO. 24-2023-10 (Rev. 1/24) Paisley Court Parking Lot Improvements (Grading and Landscaping)
 10/18/2023 10:00 AM Project: C:\Users\l.ottey\Documents\10212\10212-1023-10\10212-1023-10.dwg

NOTES:

- CONDUIT WILL BE INSTALLED AT 24" BURY DEPTH TO TOP OF CONDUIT BUNDLE. LABEL CONDUIT WITH LOCATE TAPE. CAP, MARK AND SWEEP 3' OFF THE GROUND. LOCATED AT A 2' SETBACK FROM THE CURB. MARK CONDUIT LOCATION ON CURB WITH 2" CIRCULAR IMPRESSION OR SAW CUT. SEE DETAIL C/C5-3.



REV.	DESCRIPTION	DATE
1	RE-BID REV	05/26/23



PPA#22-0012

WEST PAISLEY COURT- SITE PLAN

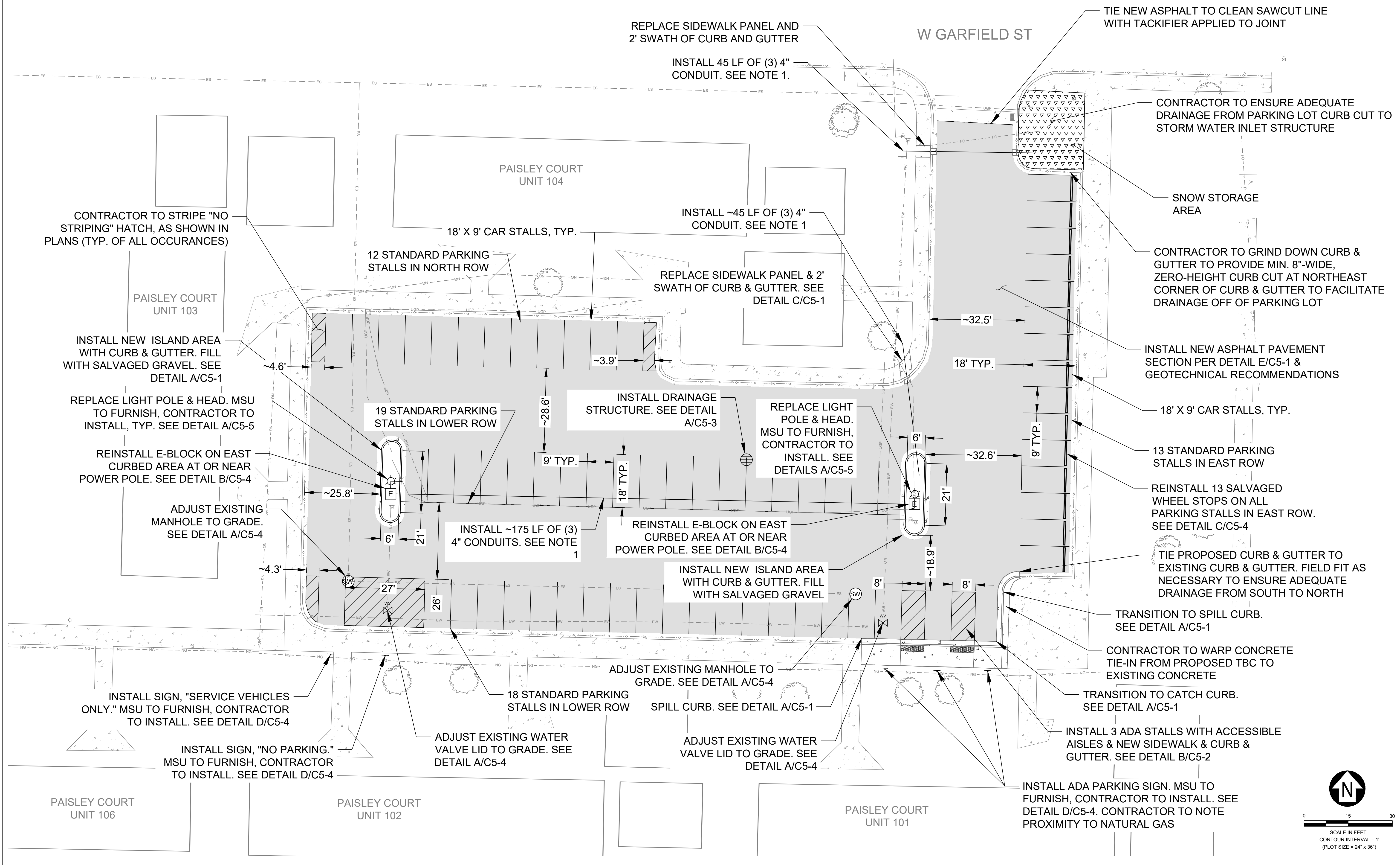
SHEET
CP1-1

DATE
05-26-23

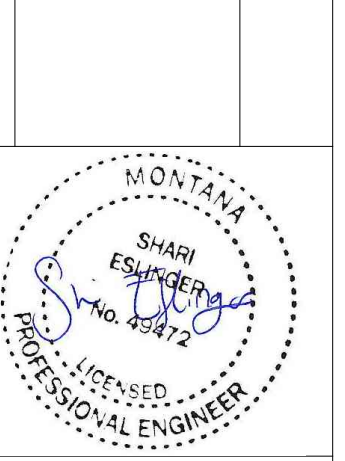
NO. 24, 2023 - 5/26/23 - WEST PAISLEY COURT, MONTANA STATE UNIVERSITY, BOZEMAN, MONTANA. PREPARED BY: SHARI ESLINGER, PROFESSIONAL ENGINEER. DATE: 05/26/23. SCALE: 1/8" = 1'-0".

NOTES:

1. CONDUIT WILL BE INSTALLED AT 24" BURY DEPTH TO TOP OF CONDUIT BUNDLE. LABEL CONDUIT WITH LOCATE TAPE. CAP, MARK AND SWEEP 3' OFF THE GROUND. LOCATED AT A 2' SETBACK FROM THE CURB. MARK CONDUIT LOCATION ON CURB WITH 2" CIRCULAR IMPRESSION OR SAW CUT. SEE DETAIL C/C5-3.



REV.	DESCRIPTION	DATE
1	RE-BID REV	05/26/23

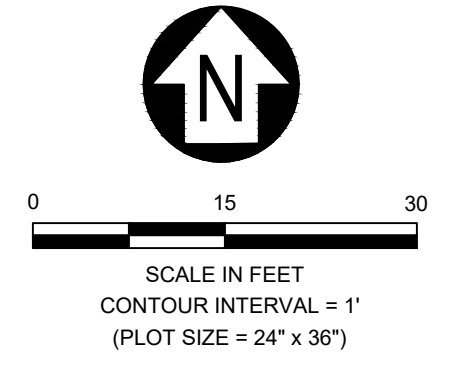


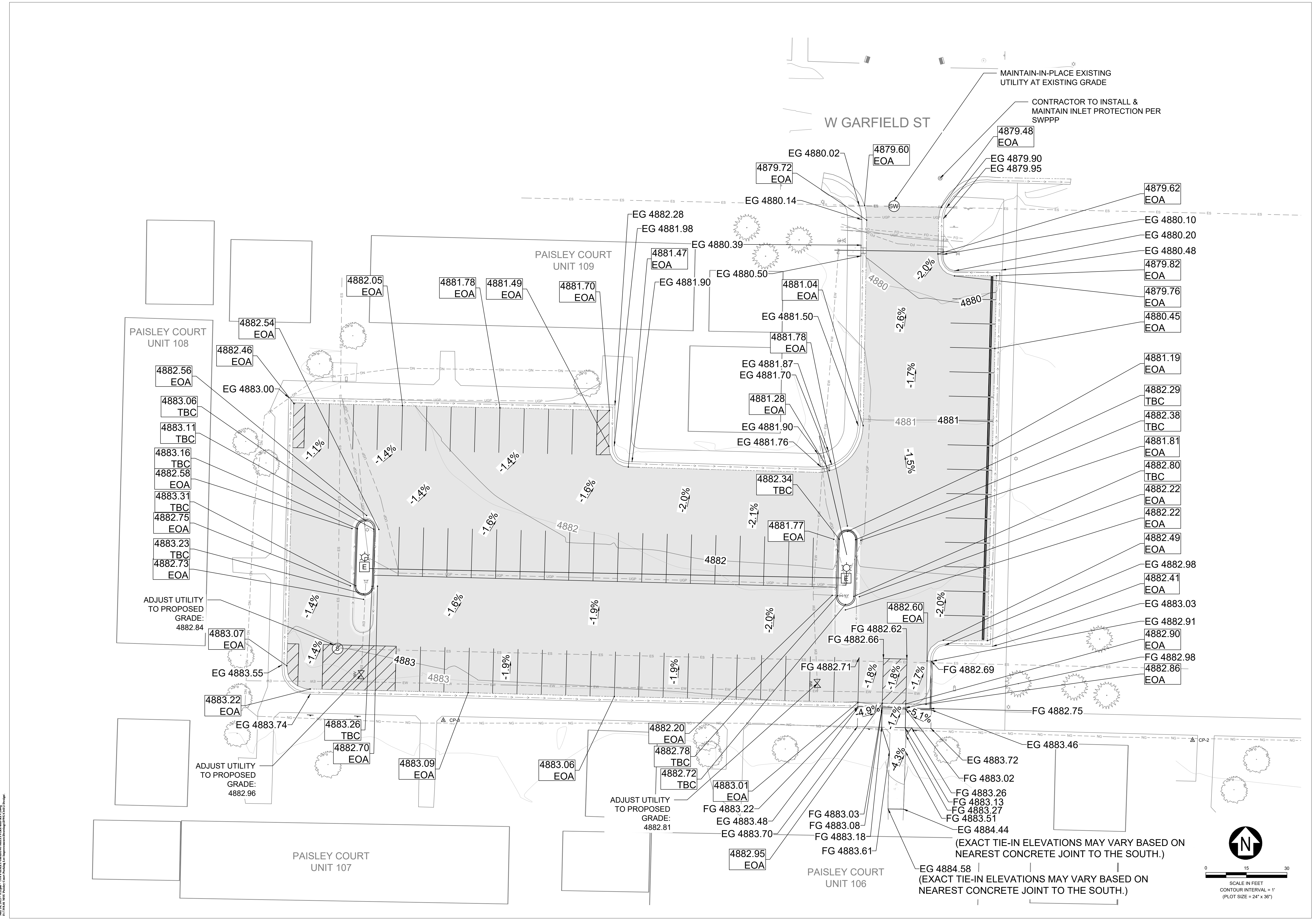
PPA#22-0012

P AISLEY COURT EAST - SITE PLAN

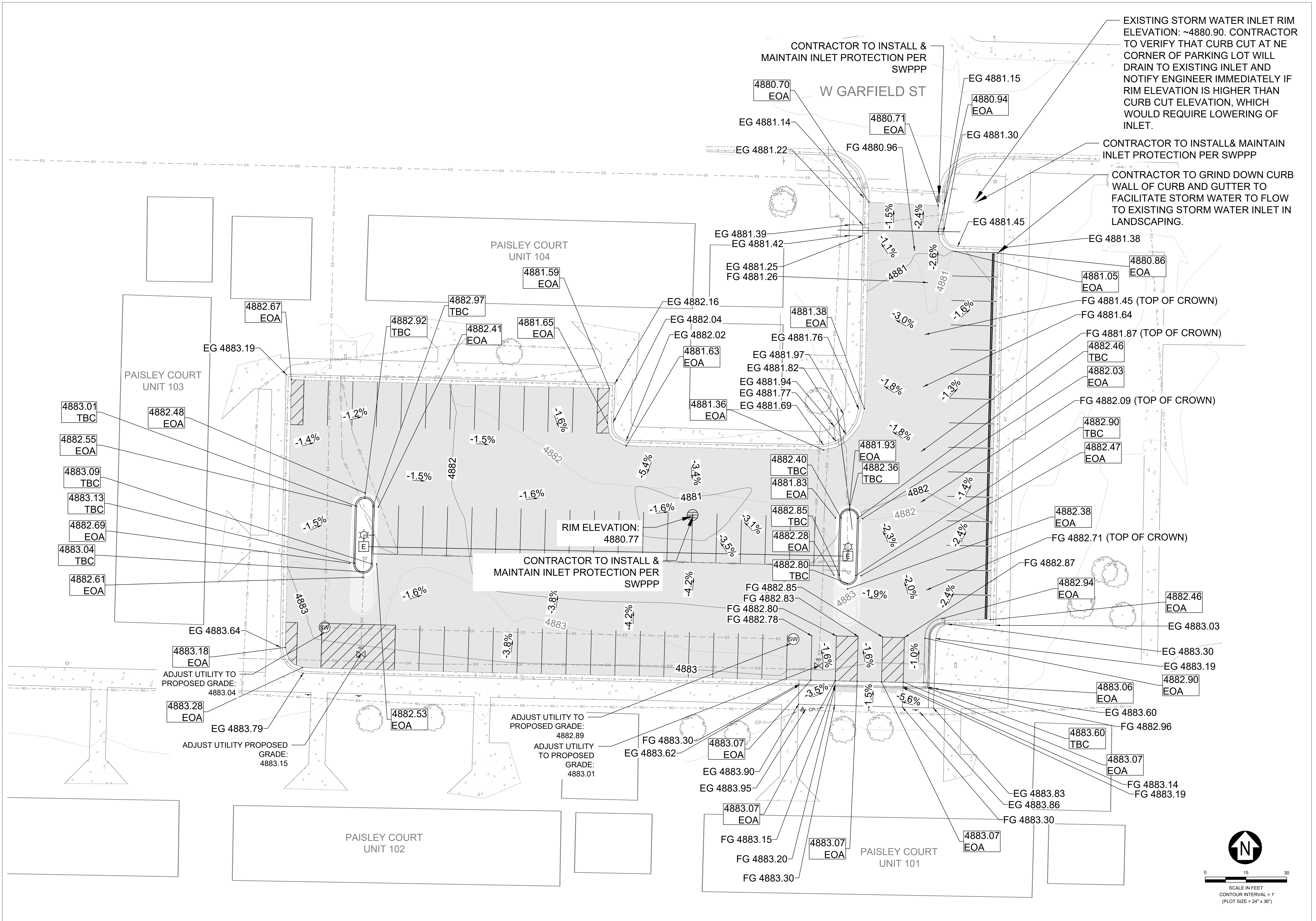
SHEET
CP1-2

DATE
05-26-23





NO. 24-3831-102 (P) - THIS PLAN IS A GRADING PLAN. IT IS NOT A CONSTRUCTION PLAN. IT IS NOT A DESIGN PLAN. IT IS NOT A PERMITTING PLAN. IT IS NOT A FINAL PLAN. IT IS NOT A CONTRACT PLAN. IT IS NOT A FINAL PLAN. IT IS NOT A CONTRACT PLAN.



EXISTING STORM WATER INLET RIM ELEVATION: ~4880.90. CONTRACTOR TO VERIFY THAT CURB CUT AT NE CORNER OF PARKING LOT WILL DRAIN TO EXISTING INLET AND NOTIFY ENGINEER IMMEDIATELY IF RIM ELEVATION IS HIGHER THAN CURB CUT ELEVATION, WHICH WOULD REQUIRE LOWERING OF INLET.

CONTRACTOR TO INSTALL & MAINTAIN INLET PROTECTION PER SWPPP

CONTRACTOR TO GRIND DOWN CURB AND GUTTER WALL OF CURB AND GUTTER TO FACILITATE STORM WATER TO FLOW TO EXISTING STORM WATER INLET IN LANDSCAPING.

CONTRACTOR TO INSTALL & MAINTAIN INLET PROTECTION PER SWPPP

ADJUST UTILITY TO PROPOSED GRADE: 4883.04

ADJUST UTILITY PROPOSED GRADE: 4883.15

ADJUST UTILITY TO PROPOSED GRADE: 4882.89

ADJUST UTILITY TO PROPOSED GRADE: 4883.01



MSU-CPDC
MONTANA STATE UNIVERSITY
BOZEMAN, MONTANA
PHONE: 406.994.5413
FAX: 406.994.5665

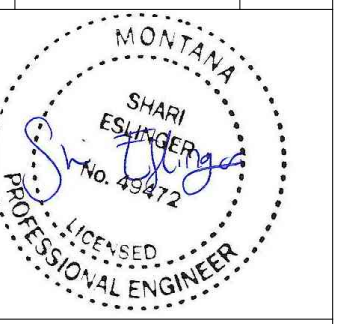
PARKING IMPROVEMENTS

2023



DRAWN BY: L. OTTEY
REVIEWED BY: K. GAUTHIER

REV.	DESCRIPTION	DATE



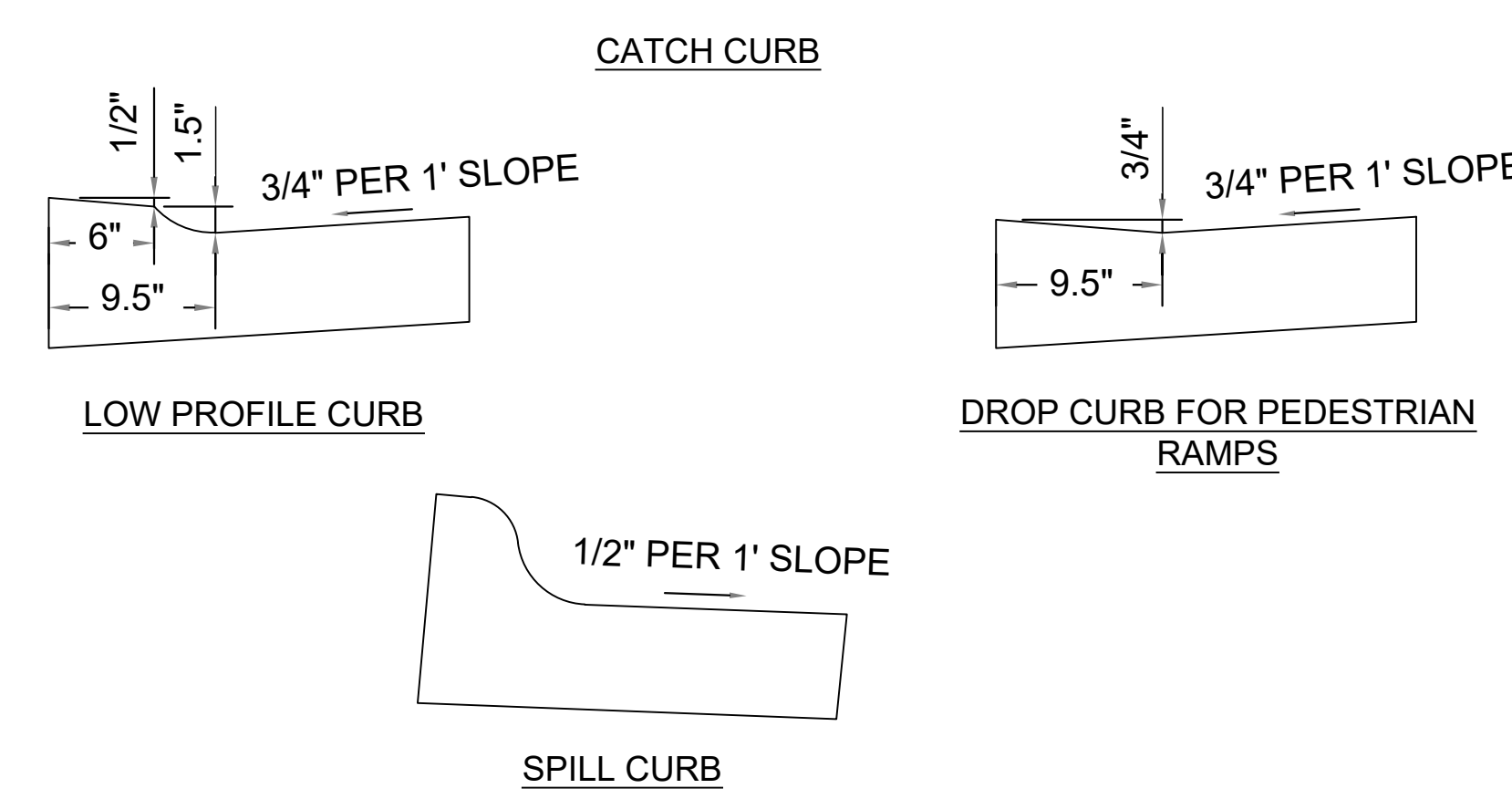
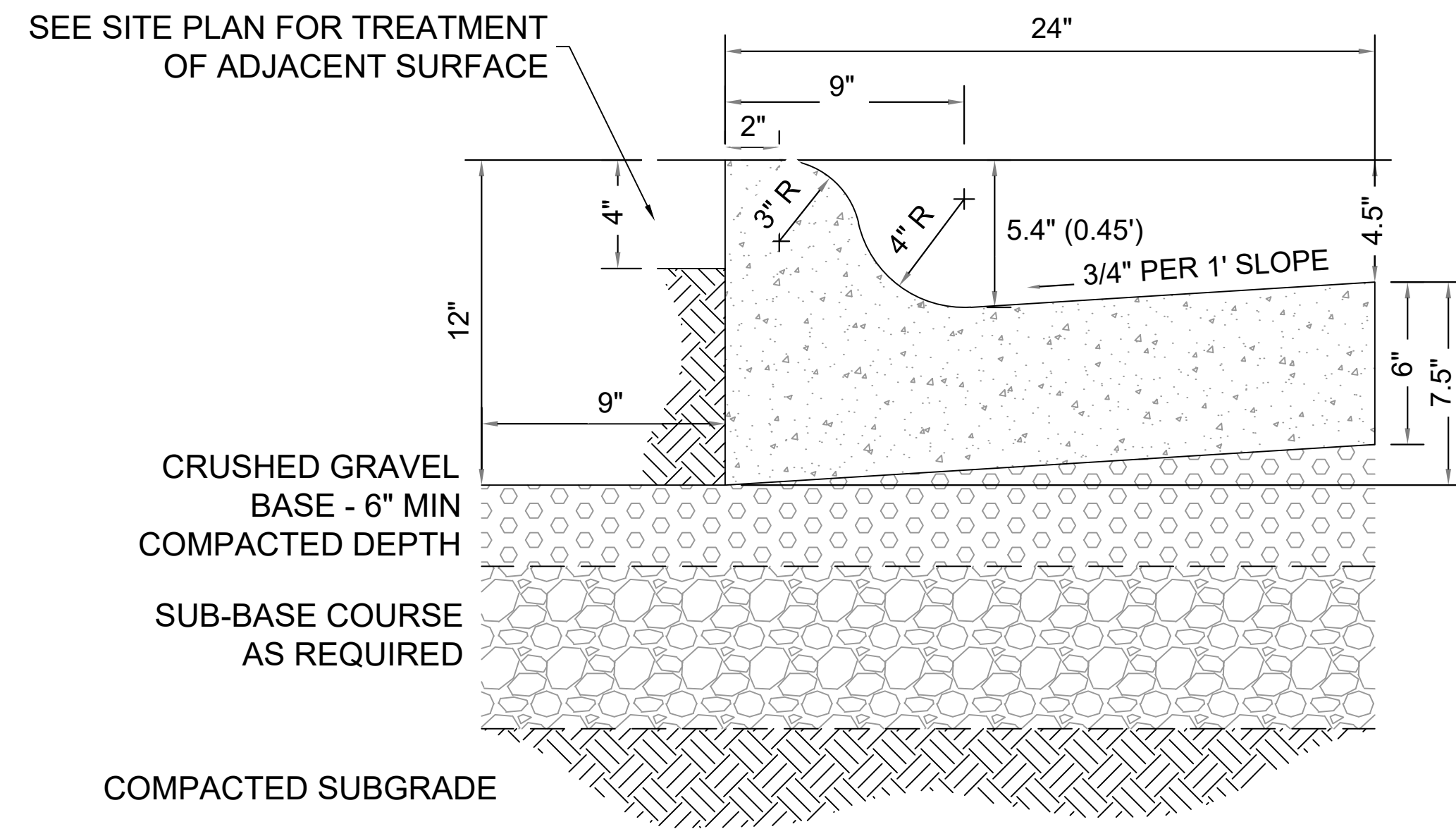
PPA#22-0012

PAISLEY COURT EAST - GRADING PLAN

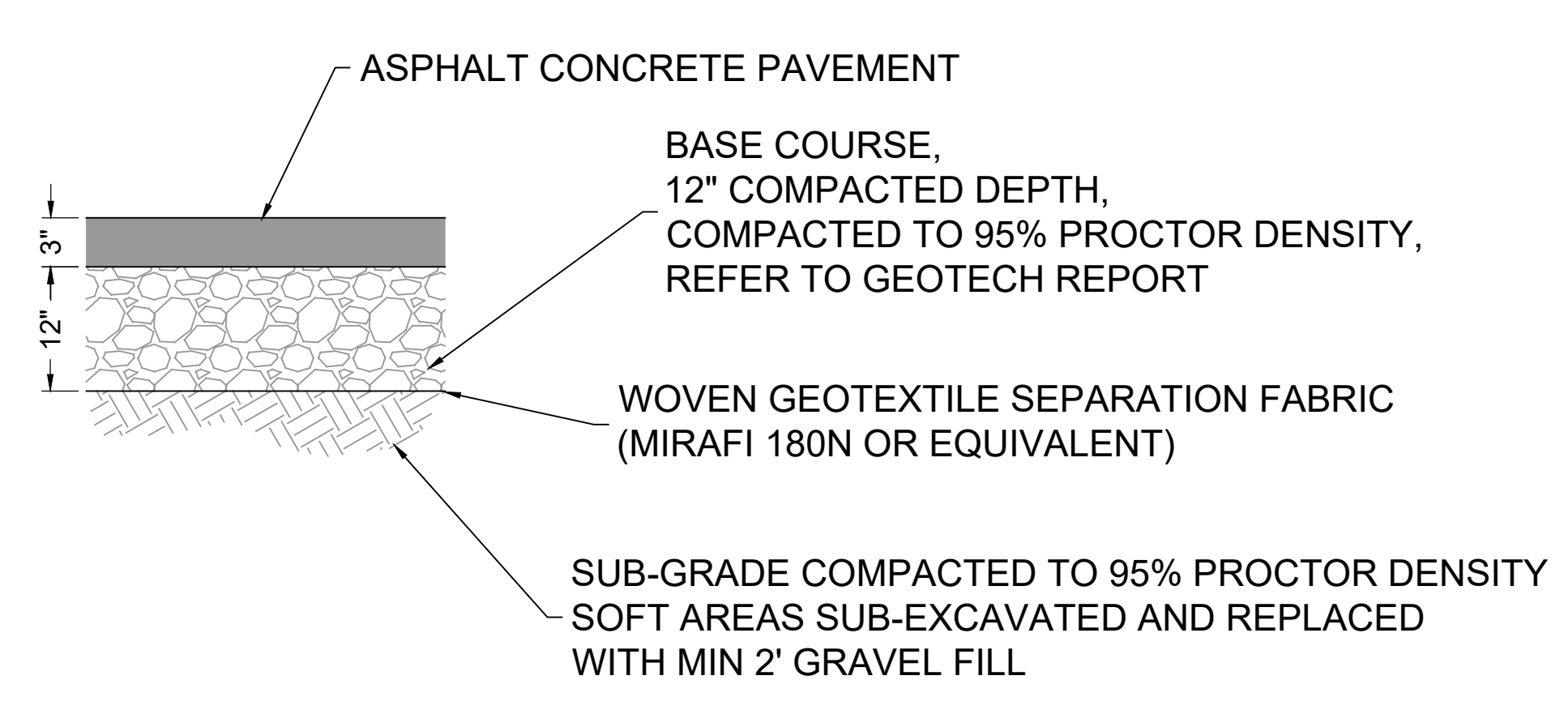
SHEET CG1-2

DATE 05-05-23

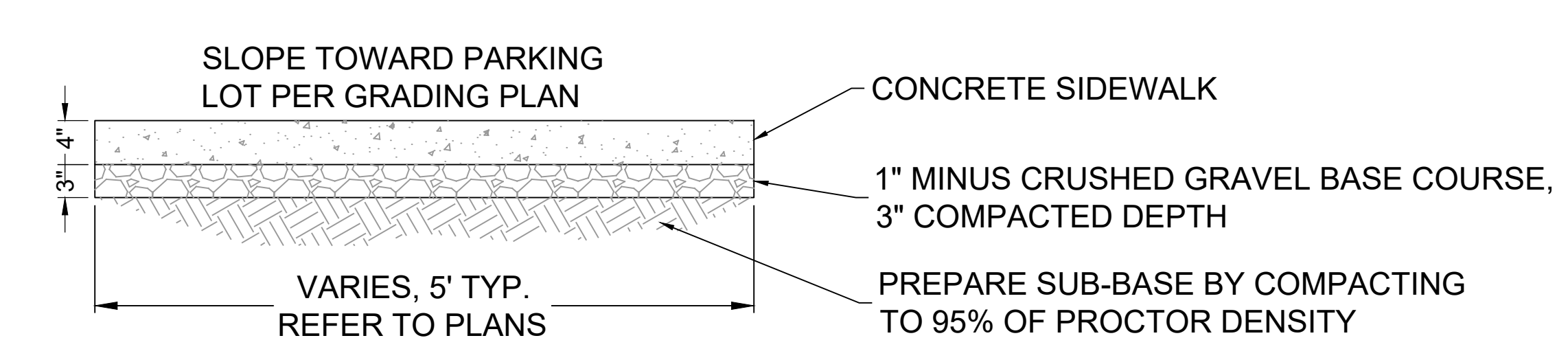
NO. 24, 2013 - 12/20/13 - THIS PLAN'S GRADING, UTILITY, AND SWPPP IS BASED ON THE 2013 Aerial Photograph. For All Other Plans, Contact Planning and Improvement Services for the most current imagery.



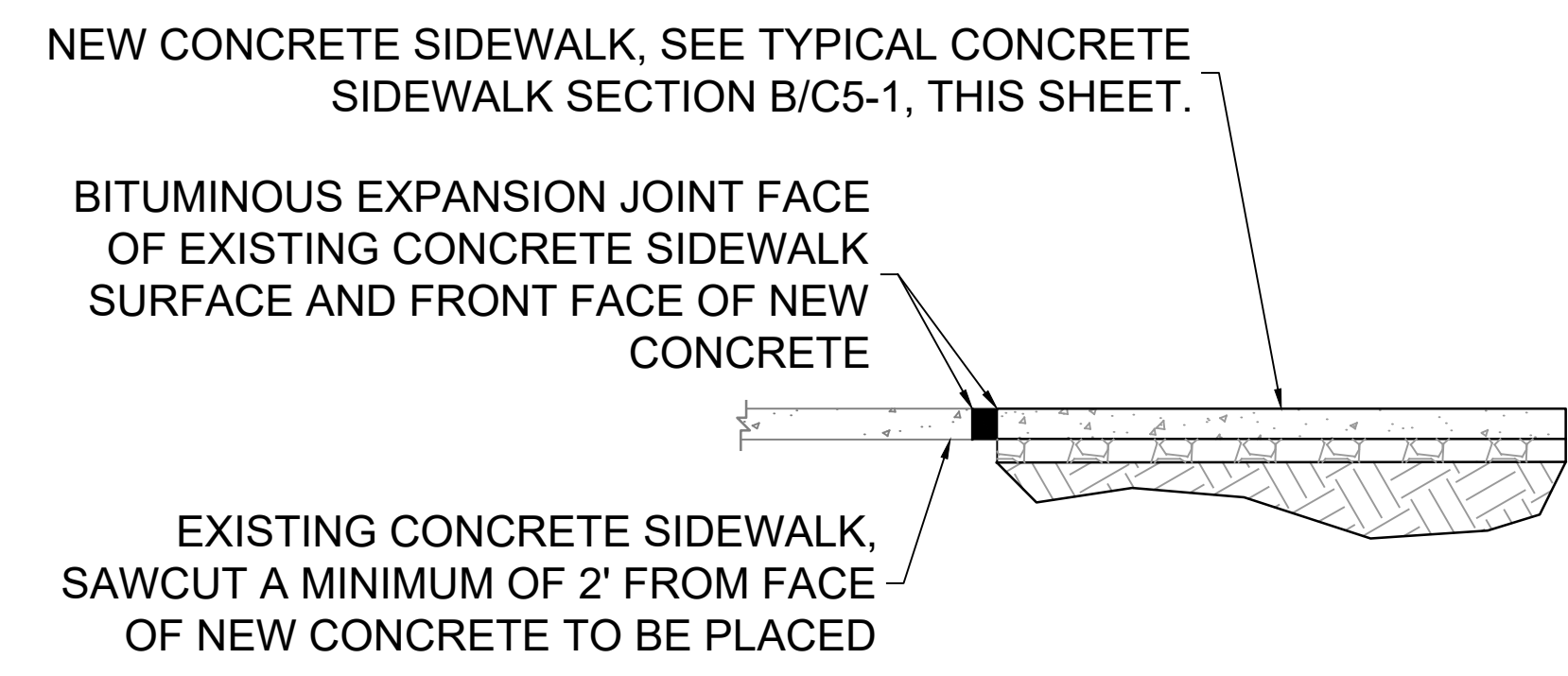
A INTEGRAL CURB & GUTTER
C5-1 NTS



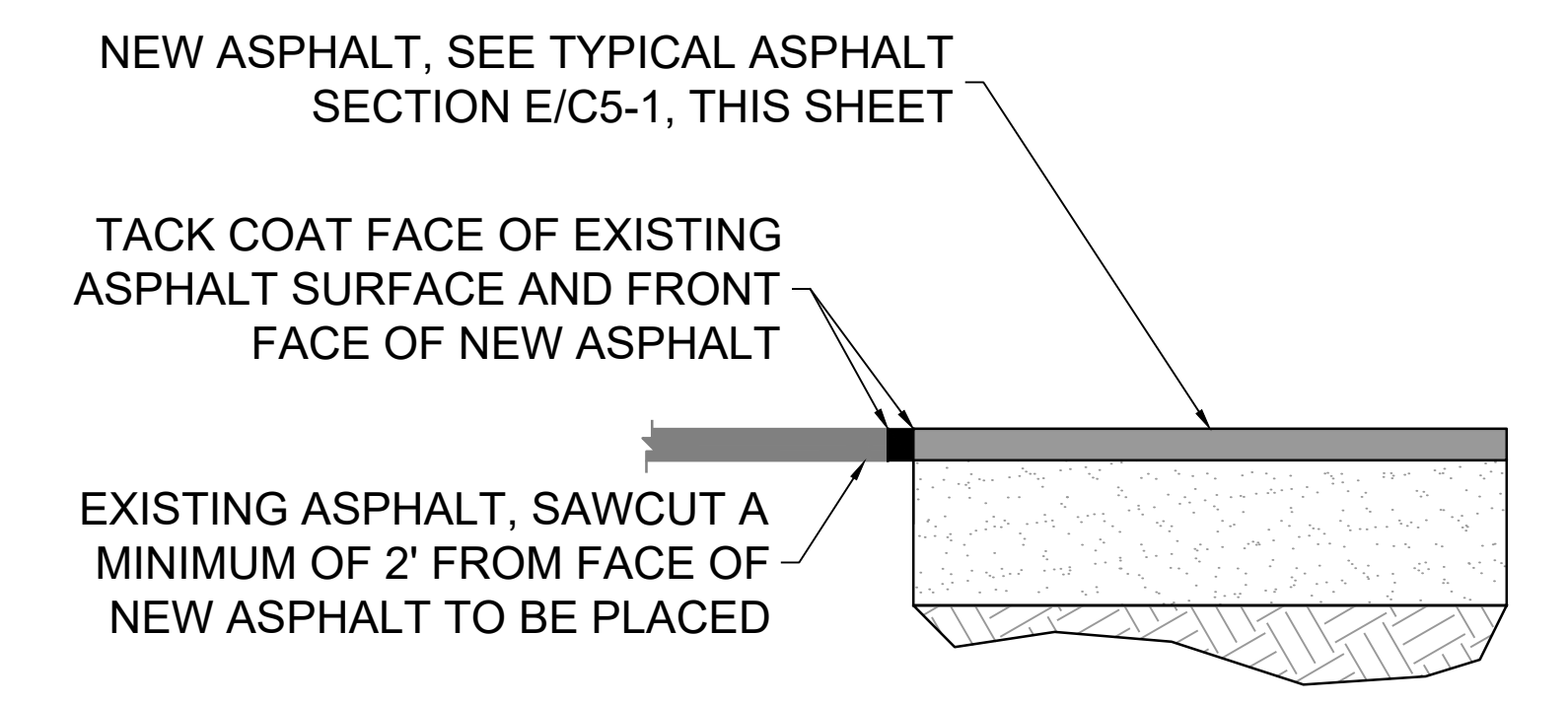
E ALTERNATIVE 1 ASPHALT SECTION
C5-1 NTS



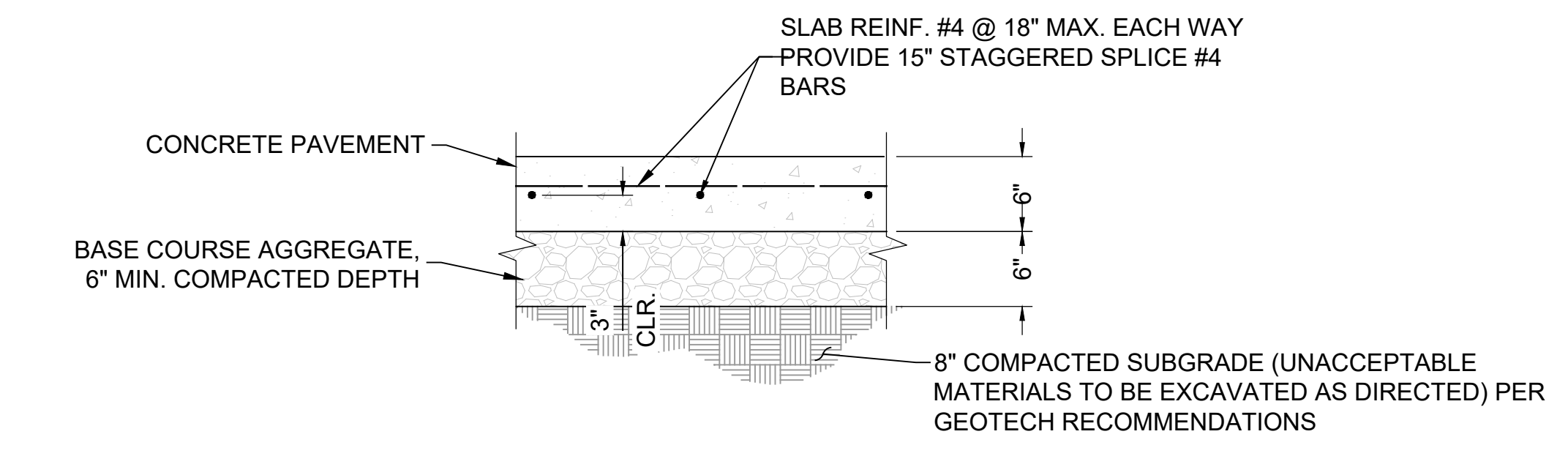
B TYPICAL CONCRETE SIDEWALK SECTION
C5-1 NTS



C TYPICAL CONCRETE CUT
C5-1 NTS



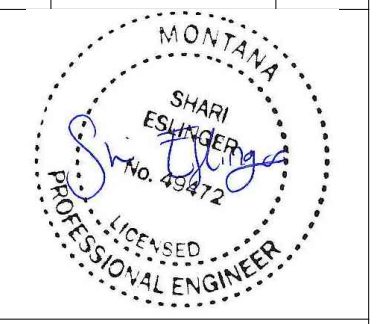
D TYPICAL ASPHALT CUT
C5-1 NTS



F REINFORCED CONCRETE SECTION
C5-1 NTS

NOTE: REINFORCE AND PLACE JOINTS PER SPECIFICATION & JOINT DETAIL. PLACE CROSS JOINTS ON DRIVE-THRU CONCRETE APPROX. EVERY 10' AS TO MAKE THE CONCRETE PANELS AS SQUARE AS POSSIBLE. SEE GEOTECH REPORT FOR SECTION DETAILS.

DRAWN BY: L. OTTEY		
REVIEWED BY: K. GAUTHIER		
REV.	DESCRIPTION	DATE
1	RE-BID REV	05/26/23



PPA#22-0012

DETAILS 1

SHEET
C5-1

DATE
05-26-23

NO. 24, 2013 - 12/20/2013 - 7/14/2014 PAVEMENT IMPROVEMENTS SHEETS FOR BID NO. 24, 2013
© 2013 MSU-CPDC. All Rights Reserved. For Improvement/Construction/General Use Only.

DRAWN BY: L. OTTEY		
REVIEWED BY: K. GAUTHIER		
REV.	DESCRIPTION	DATE
1	RE-BID REV	05/26/23

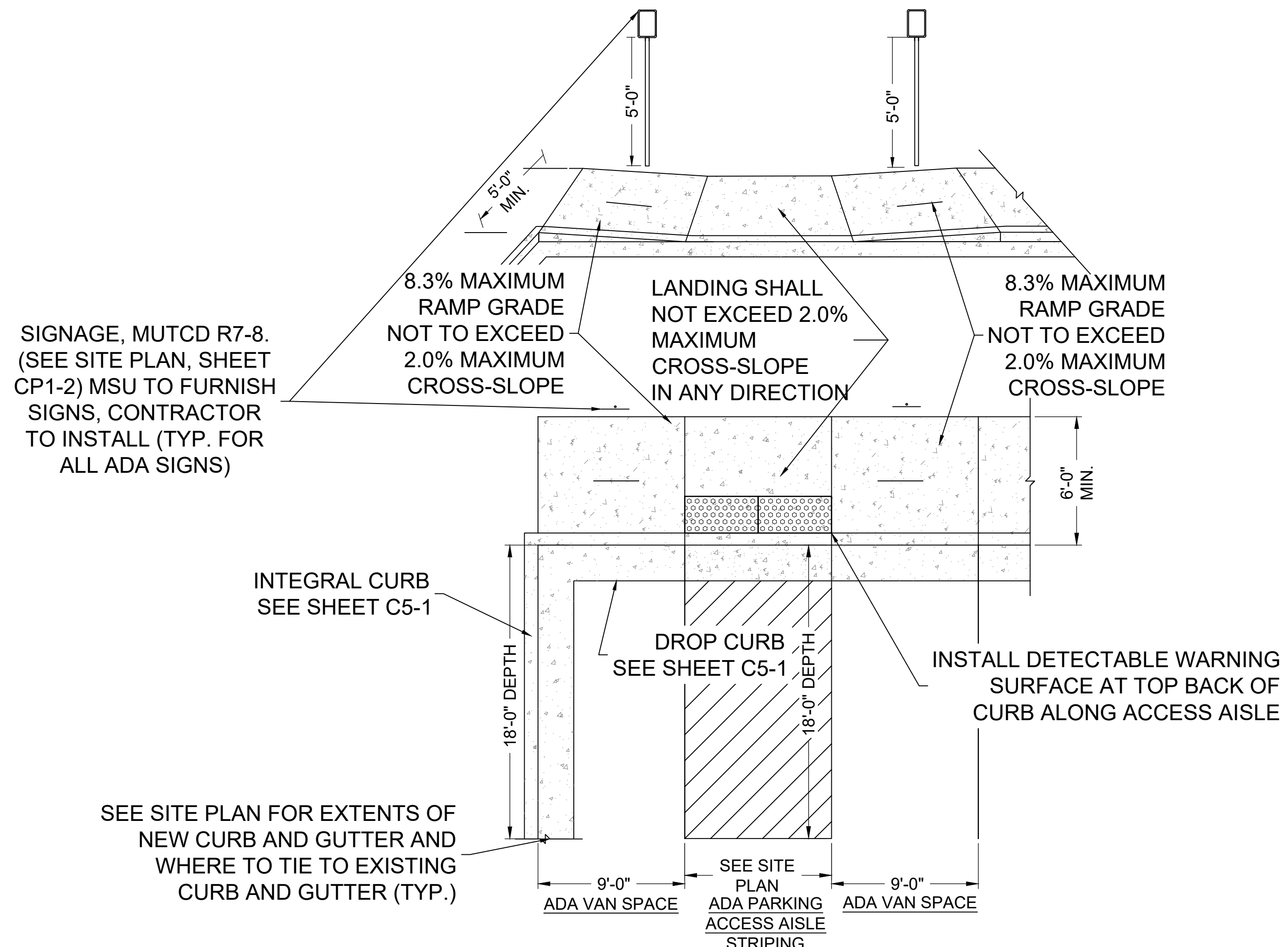


PPA#22-0012

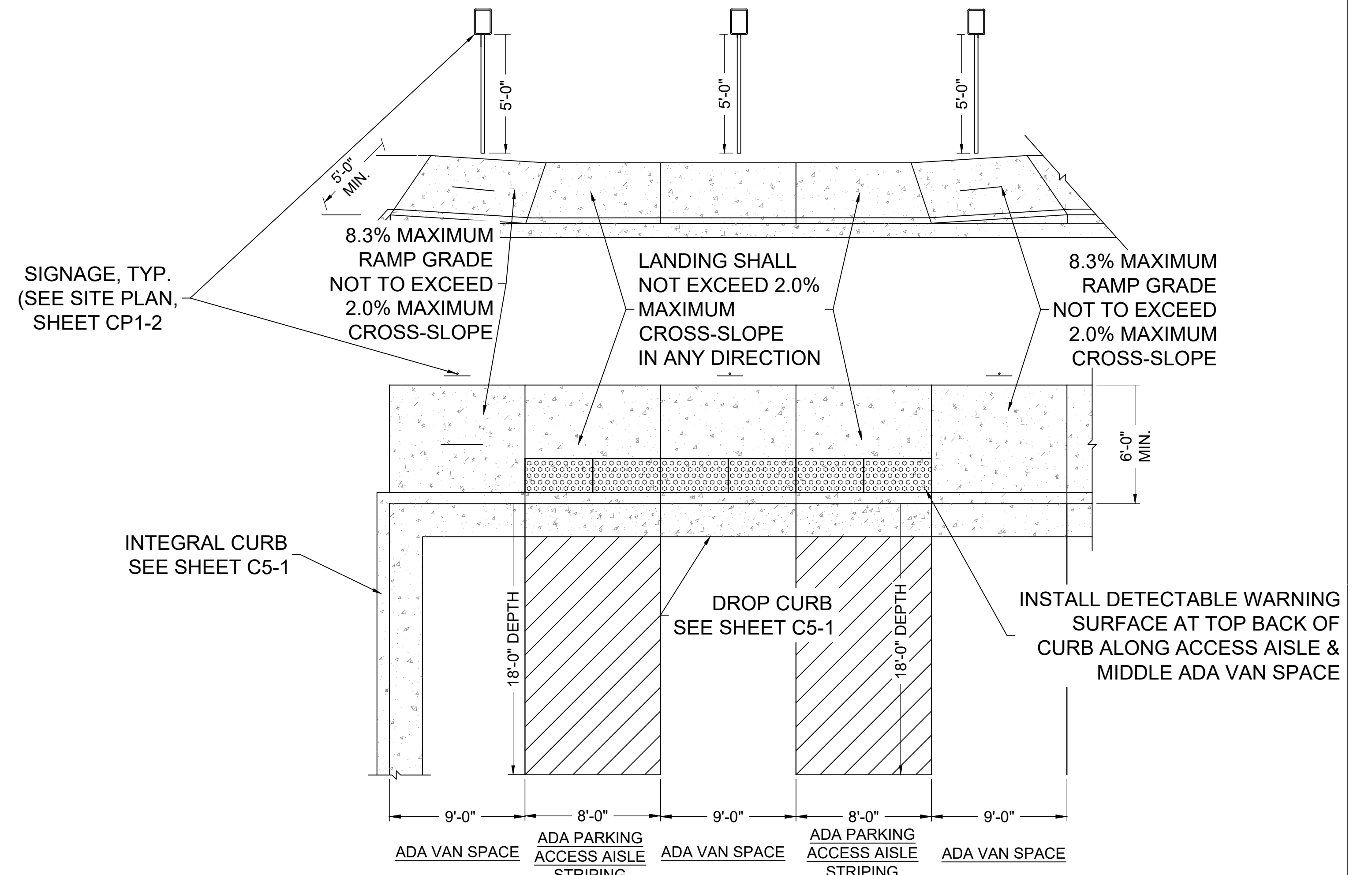
DETAILS 2

SHEET
C5-2

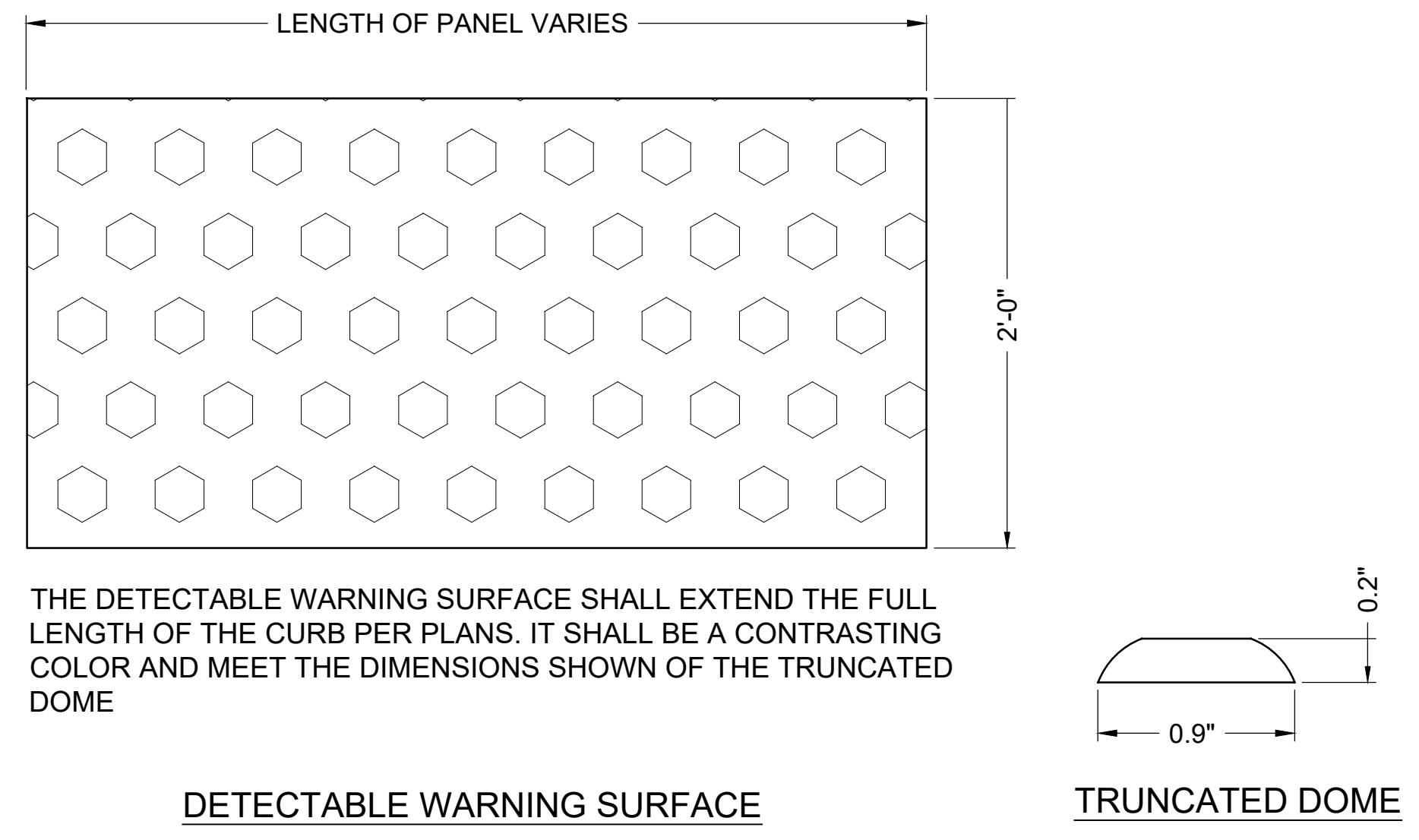
DATE
 05-26-23



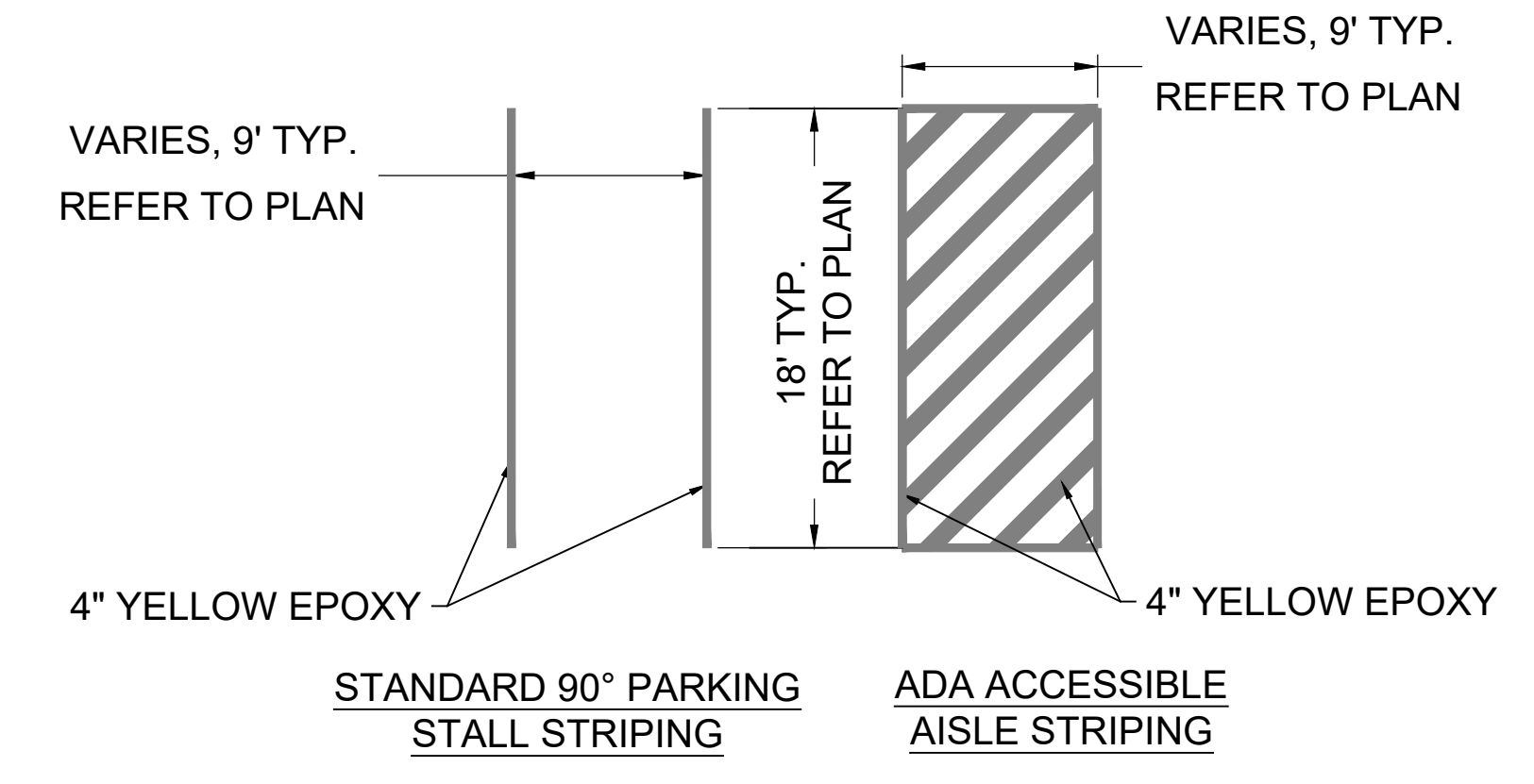
A ADA STALL DETAIL - PAISLEY WEST
 C5-2 NTS



B ADA STALL DETAIL - PAISLEY EAST
 C5-2 NTS

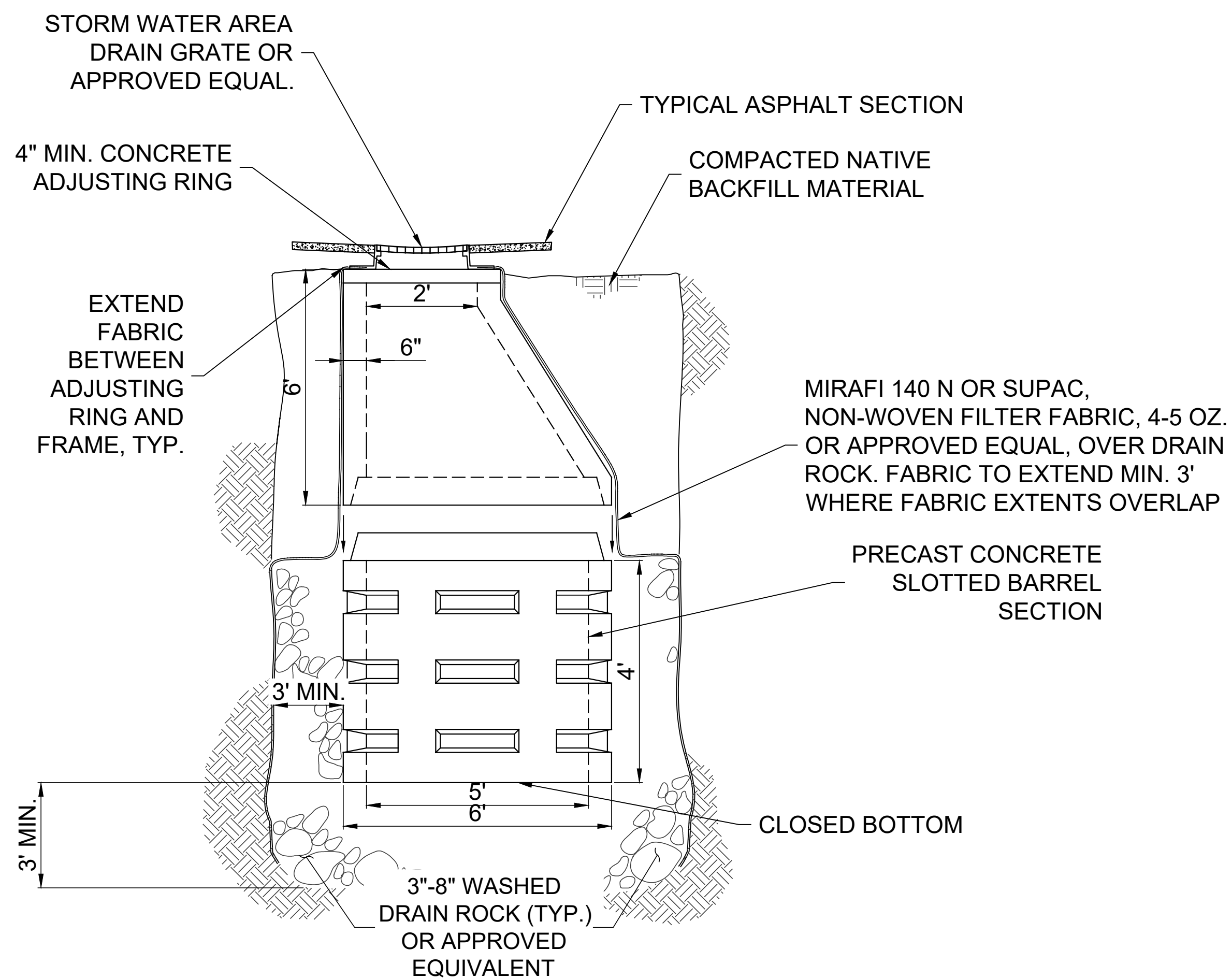


C DETECTABLE WARNING DETAIL
 C5-2 NTS

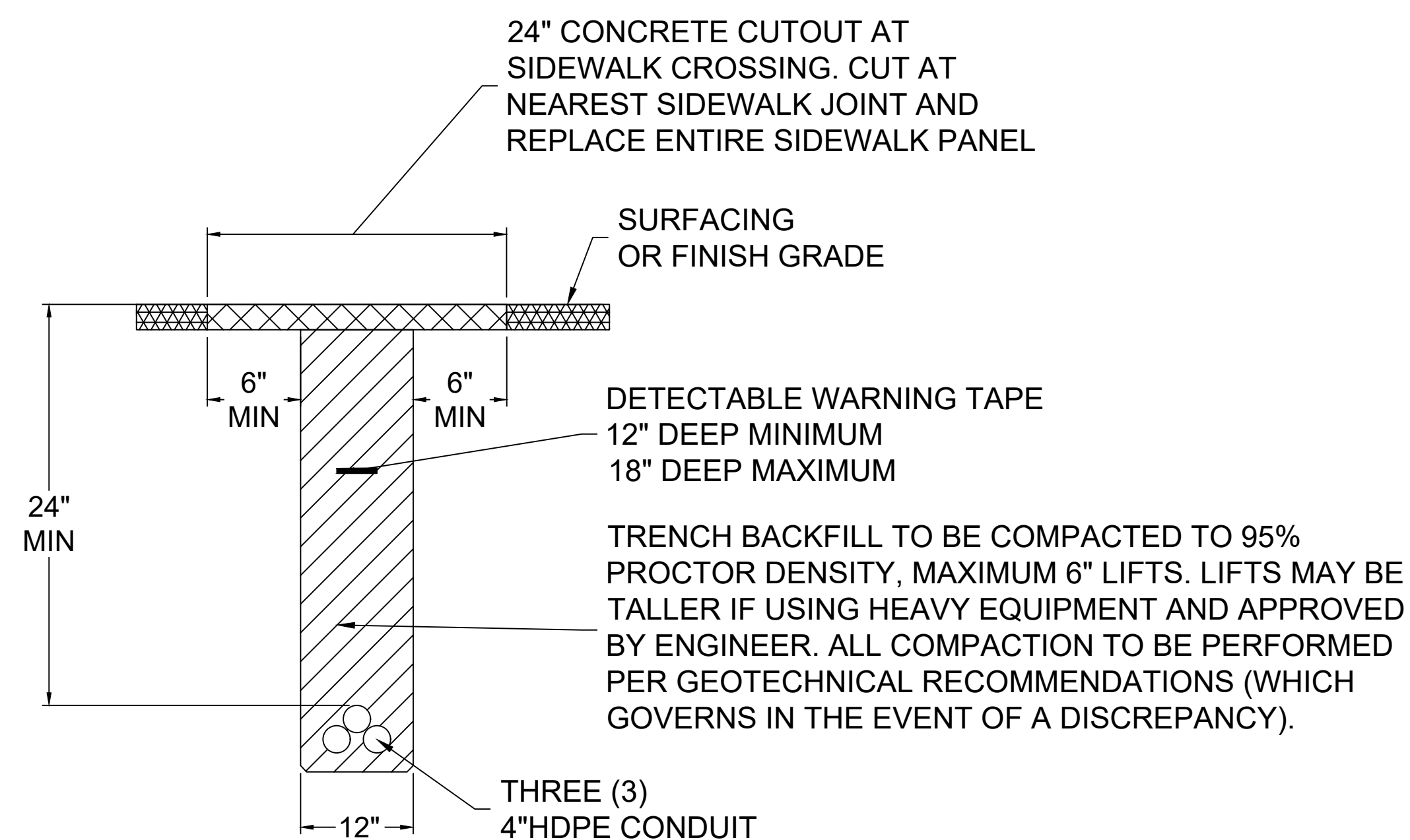


D TYPICAL PAVEMENT MARKINGS
 C5-2 NTS

No. 24, 2011 - 12/20/2011 - 7/14/2014 PAVEMENT IMPROVEMENTS SHEETS FOR BID NO. 24-2011
 1/1/2014 10:01:00 AM Project: C:\Users\lortey\Documents\2023\2023-24\24-2011\24-2011-PAVEMENT IMPROVEMENTS SHEETS FOR BID NO. 24-2011.dwg



A PRECAST DRY WELL (W/ AREA DRAIN OR CURB INLET) DETAIL
C5-3/NTS



NOTE: CONTRACTOR MAY USE APPROVED EQUIVALENT, TRAFFIC-RATED GRATED MANHOLE THROUGH SUBMITTAL PROCESS.

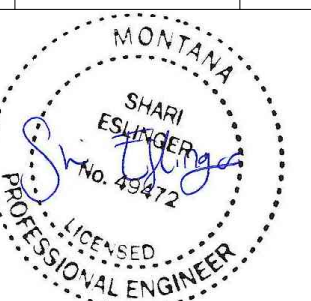
B STORM DRAIN GRATE
C5-3/NTS

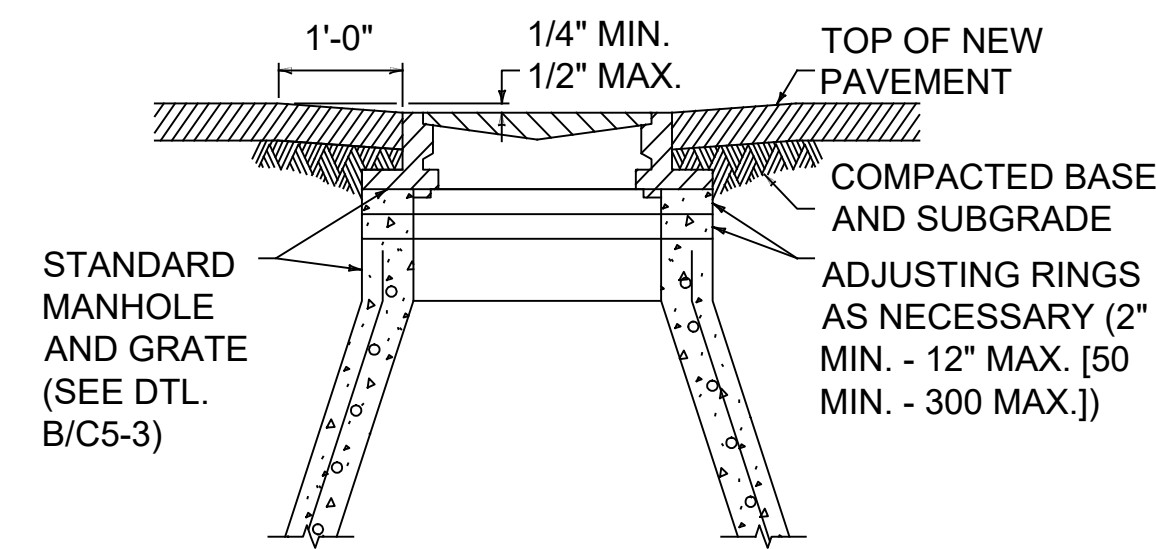
DETAIL NOTES:

1. CONTRACTOR SHALL COORDINATE TRENCHING WITH OTHER UNDERGROUND UTILITIES. CONTRACTOR SHALL USE COMMON TRENCHES AT ALL CROSSING WHENEVER POSSIBLE.
2. 1-#12 AWG LOCATE WIRE AND A NYLON OR POLYESTER PULL TAPE WITH 1,250 LBS TEST STRENGTH AND FOOTAGE MARKINGS IN ALL EMPTY CONDUITS.
3. CUT WIDTH VARIES OUTSIDE OF SIDEWALK. REFER TO SITE PLAN AND GRADING PLAN FOR CUT WIDTH AND PROPOSED FINISH SURFACE GRADE

C CONDUIT TRENCH DETAIL
C5-3/NTS

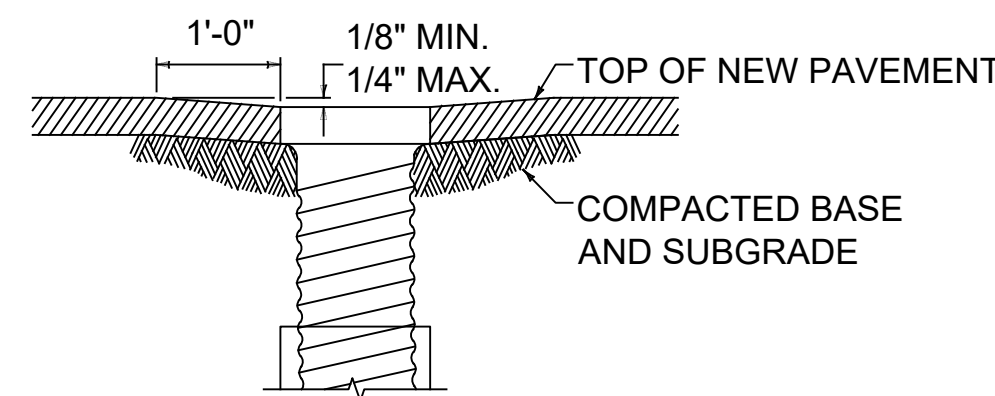
REV.	DESCRIPTION	DATE
1	RE-BID REV	05/26/23





- NOTES:
1. ADJUST MANHOLES UPWARD WITH ADJUSTING RINGS UNDER FRAME.
 2. ADJUST MANHOLES DOWNWARD BY REMOVING CONE AND BARREL SECTIONS AS NECESSARY AND REPLACING WITH SECTIONS OF LENGTH REQUIRED TO MATCH GRADE.
 3. SLOPE MANHOLE FRAME AS REQUIRED TO MATCH SLOPE OF STREET.
 4. MAKE FINAL MANHOLE ADJUSTMENTS BEFORE PAVING.

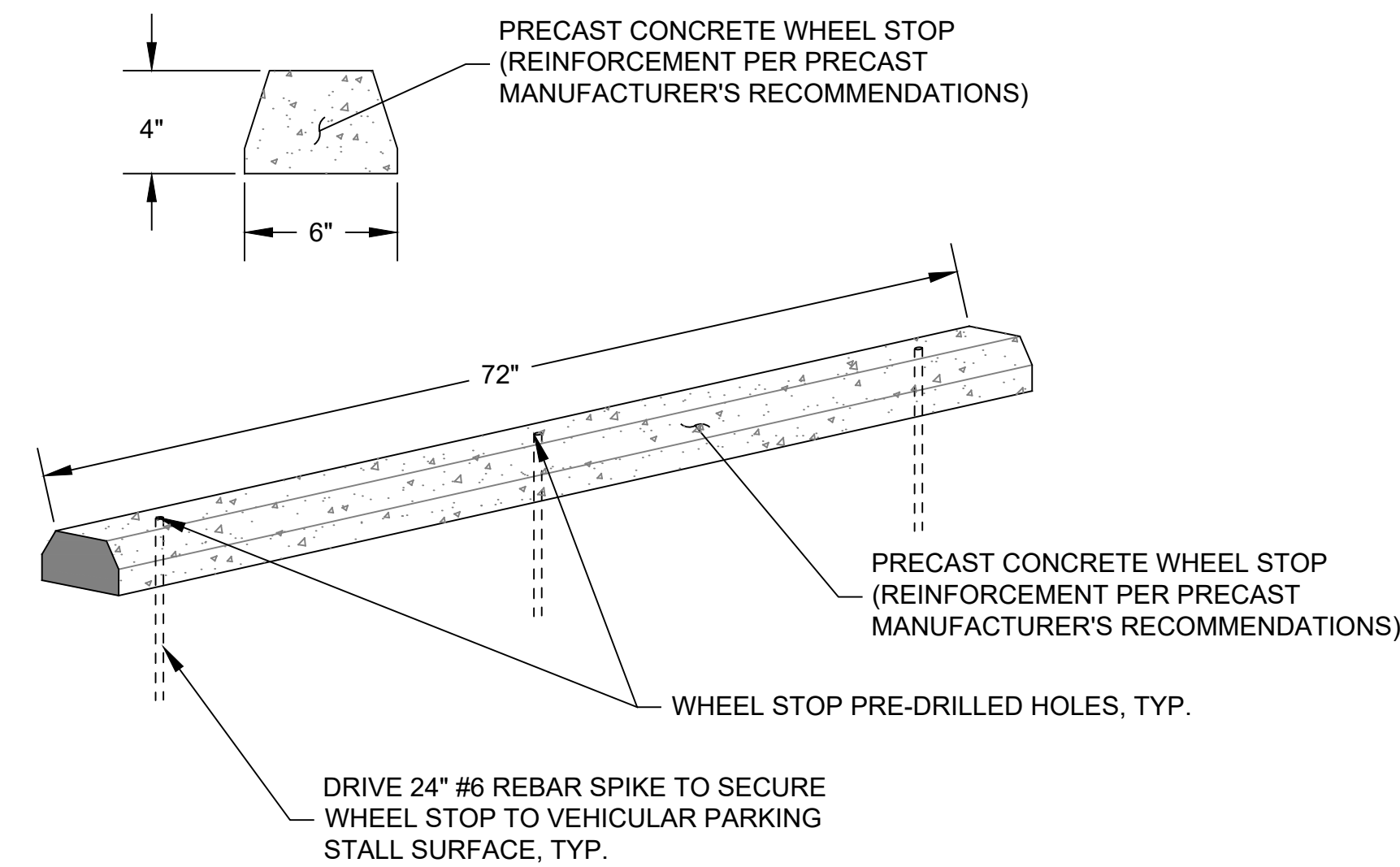
MANHOLE ADJUSTMENT DETAIL



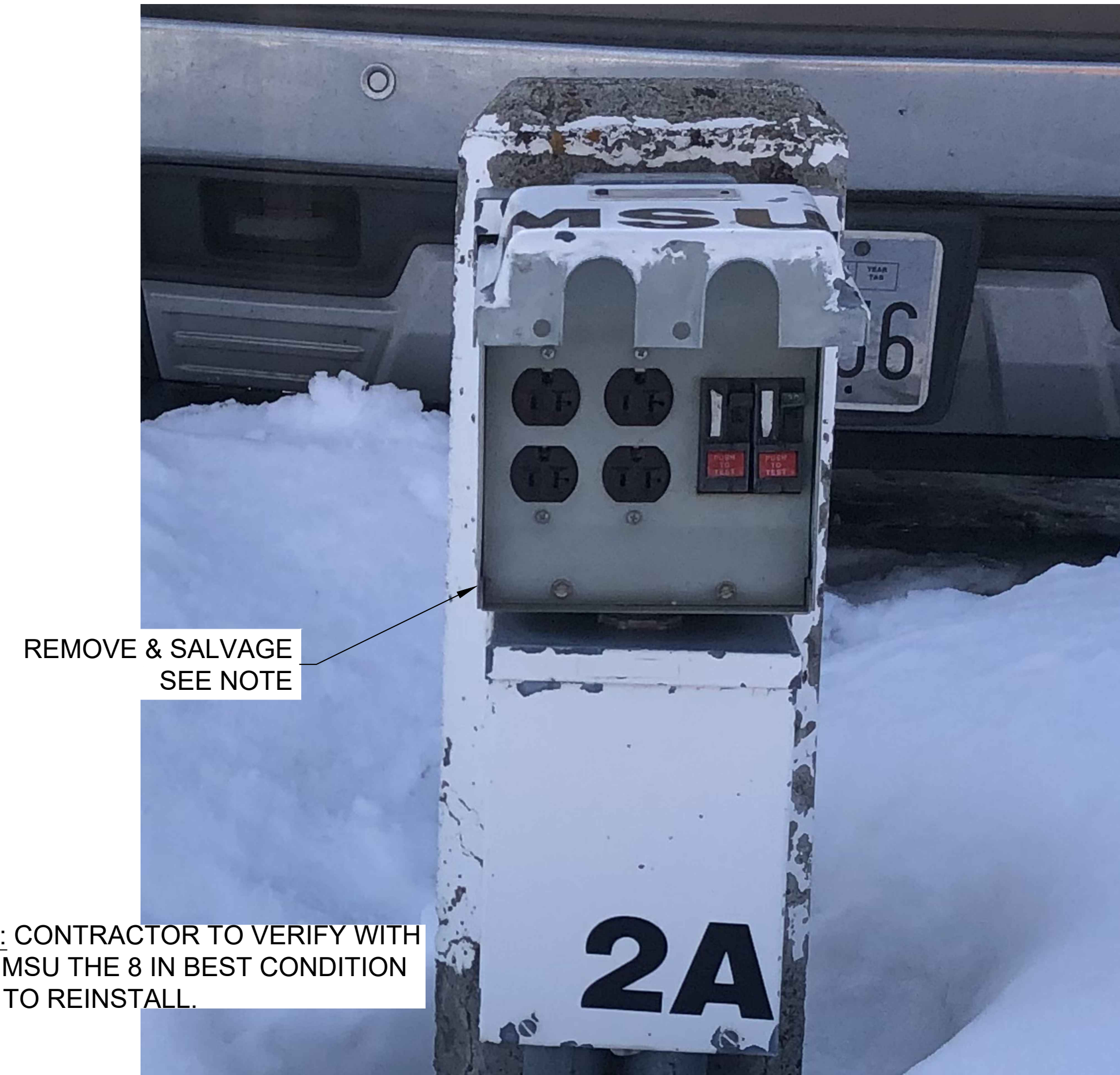
- NOTES:
1. ADJUST WATER VALVES UPWARD OR DOWNWARD AS REQUIRED.
 2. MAKE FINAL ADJUSTMENTS BEFORE PAVING.

VALVE BOX ADJUSTMENT DETAIL

A MANHOLE AND VALVE BOX ADJUSTMENT DETAILS
C5-4 NTS

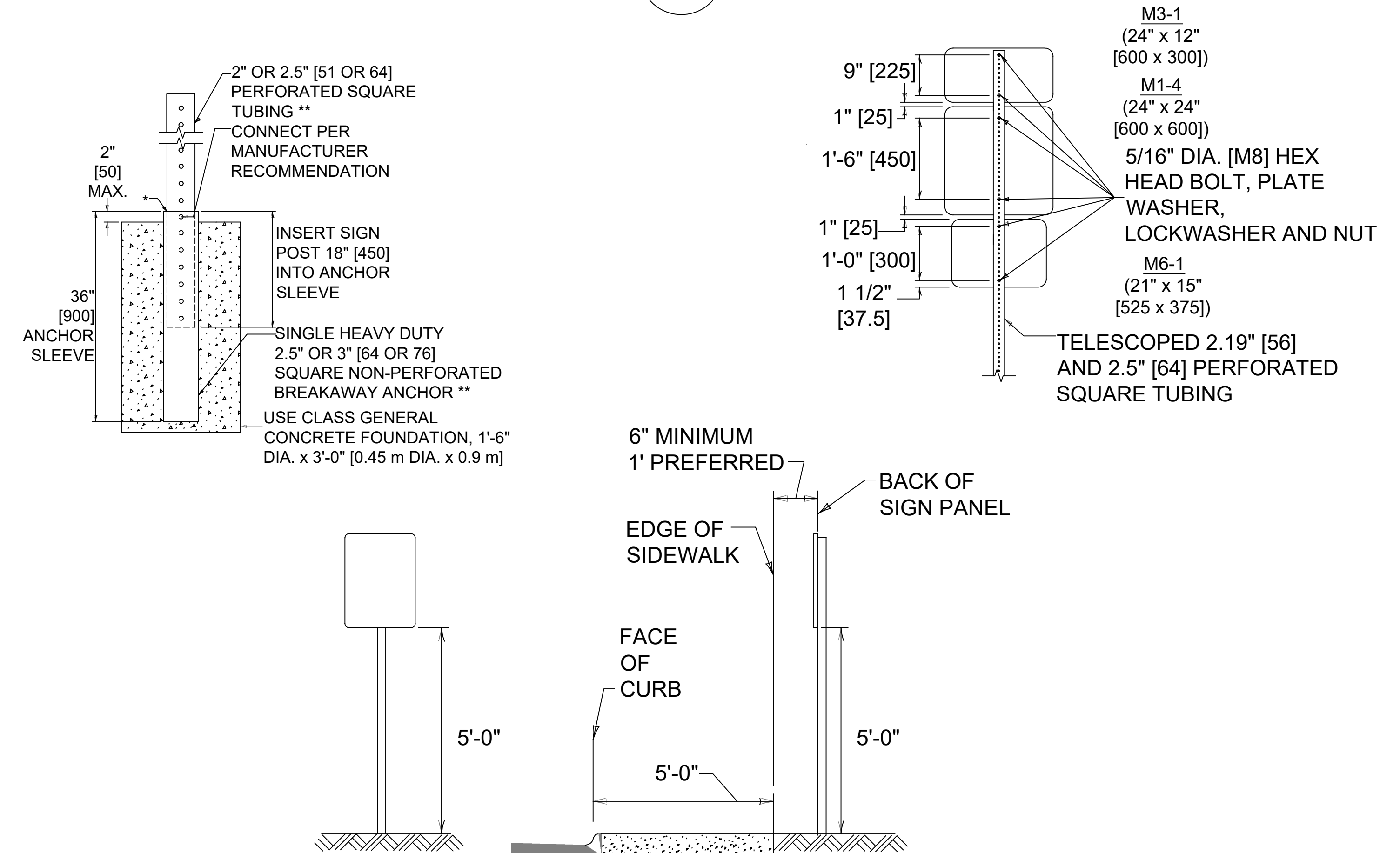


C CONCRETE WHEEL STOP DETAIL
C5-4 NTS



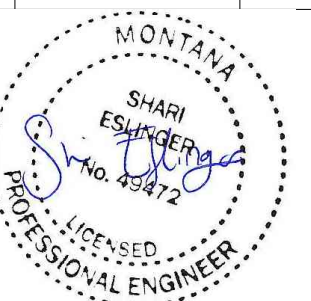
NOTE: CONTRACTOR TO VERIFY WITH MSU THE 8 IN BEST CONDITION TO REINSTALL.

B E-BLOCK
C5-4 NTS



D SIGN INSTALATION DETAIL
C5-4 NTS

REV.	DESCRIPTION	DATE



PPA#22-0012

DETAILS 4

SHEET
C5-4

DATE
05-05-23

NO. 24-2011-022P - 7/14 PAVEMENT DETAILS SHEETS FOR THE IMPROVEMENTS PROJECT 2023

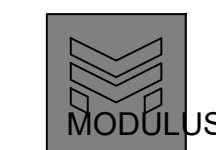
PROJECT INFORMATION

MSU - PAISLEY COURT || LIGHTING PLAN
BOZEMAN, MONTANA

CONSTRUCTION DOCUMENTS

DATE ISSUED | 03/01/2023
PROJECT ENGINEER | ANDY MOORE

Issue
100%



MODULUS ENGINEERING
ELECTRICAL | TECHNOLOGY | LIGHTING
109 E Oak St, Ste 111, Bozeman, MT 59715
moduluscop.com | 406.312.5714

SHEET NUMBERING (CAD STANDARD)

- T1.01 (TECHNOLOGY FLOOR PLAN, 1ST SHEET)
- SEQUENCE NUMBERS
- SEQUENCE TYPE
- SHEET TYPE
- 0 GENERAL: SYMBOL LEGEND, NOTES
- 1 PLANS
- 2 ELEVATIONS
- 3 REFLECTED CEILING
- 4 LARGE SCALE DRAWINGS, ELEVATIONS
- 5 DETAILS
- 6 SCHEDULES AND DIAGRAMS
- 7 USER DEFINED
- 8 USER DEFINED
- 9 3D DRAWINGS, ISOMETRIC
- DISCIPLINE DESIGNATOR
- E ELECTRICAL
- EL ELECTRICAL - LIGHTING
- T TECHNOLOGY

SHEET INDEX

LIGHTING SHEET LIST	
SHEET #	SHEET NAME
EL0.01	LIGHTING INDEX AND SCHEDULES
EL1.00	LIGHTING PLAN
EL1.10	LIGHTING DEMO PLAN
EL1.11	LIGHTING PHOTOMETRIC PLAN

LIGHTING

- 1 B01 IDENTIFICATION
- a B01: LUMINAIRE TYPE
- a: SWITCH ZONE
- 1: CIRCUIT NUMBER
- FILLED LUMINAIRE INDICATED EMERGENCY OPERATION
- SURFACE MOUNTED LUMINAIRE
- RECESSED LUMINAIRE
- WALL WASH LUMINAIRE
- ARROW INDICATED ORIENTATION
- WALL MOUNTED LUMINAIRE
- *XX* INDICATES MOUNTING HEIGHT TO CENTER
- SUSPENDED LUMINAIRE
- POLE MOUNTED LUMINAIRE WITH ARM
- POST MOUNTED LUMINAIRE
- GROUND/FLOOR MOUNTED LUMINAIRE
- TRACK LUMINAIRE SYSTEM (LENGTH, HEAD TYPES, & QUANTITIES AS INDICATED ON PLANS & SCHEDULES)
- EXIT SIGN - ARROWS & FACES AS INDICATED ON PLANS

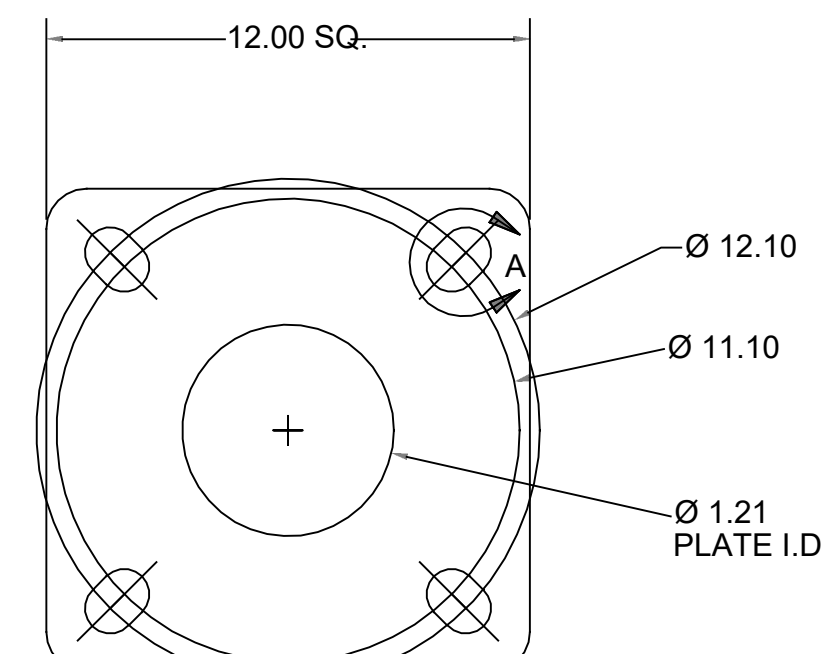
ORIENTATION

- HORIZONTAL ZERO LINE INDICATED HOTLINE ZERO DRAWN FROM CENTER
- DIRECTIONAL ARROW INDICATED PRIMARY LUMEN ORIENTATION
- DIRECTIONAL AIMING LINE

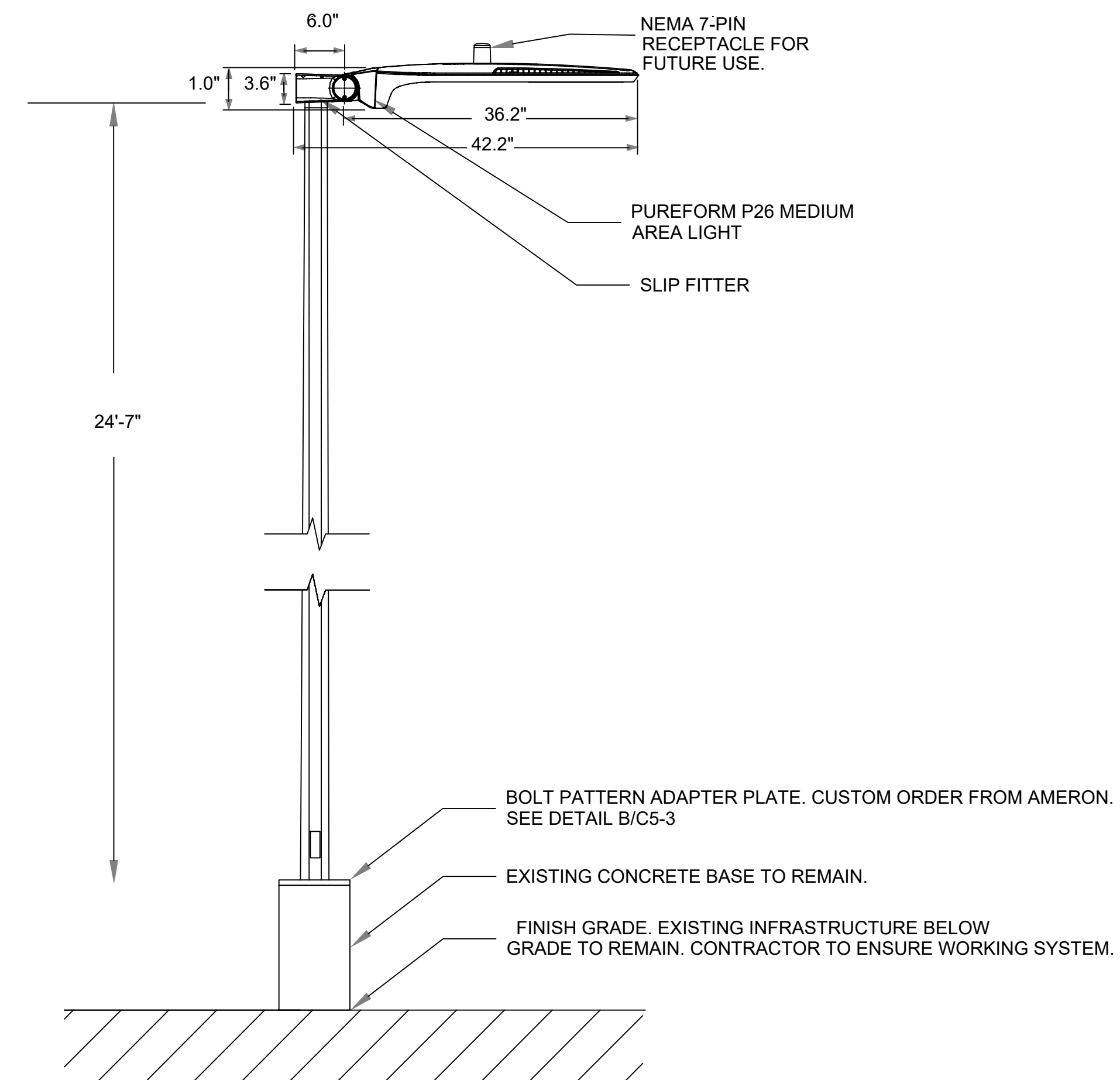
LUMINAIRE SCHEDULE

Type	Description	Manufacturer	Catalog Number	Source CRI CCT Voltage	Load	Luminous Flux	Efficacy	Dim Life Expectancy	Mounting	Finish	Notes
B01	STREET/PARKING ENTRY LUMINAIRE	GARDCO	P26-64L-600-WW(80CRI)-G2-SF-2-277-FAWS-TLRD7-F1112-80	3000K 277 V	167 VA	14493 lm	127 lm/W FAWS	100,000	EXISTING POLE	BRONZE	2
B02	PARKING LOT LUMINAIRE	GARDCO	P26-80L-700-WW(80CRI)-G2-SF-5W-277-FAWS-TLRD7-LED	3000K 277 V	169 VA	21363 lm	127 lm/W FAWS	100,000	25' NEW POLE	BRONZE	1

- NOTES:
1. PROVIDE & INSTALL NEW AMERON #ME0-7.5 POLE AND CUSTOM BOLT PATTERN ADAPTER PROVIDED BY AMERON. REFER TO DETAIL 1/EL0.01
2. EXISTING POLE TO REMAIN.



1 AMERON CUSTOM BOLT PATTERN ADAPTER
8" = 1'-0"



2 AMERON POLE MOUNTING DETAIL
8/4" = 1'-0"

A MODULUS LIGHT POLE DETAIL
C5-5 NTS

MSU - PAISLEY COURT
BOZEMAN, MONTANA

100% CONSTRUCTION DOCUMENTS
ISSUE DATE: 03/01/2023

REVISIONS
▲ DATE DESCRIPTION
1 04.03.2023 REV 1

LIGHTING INDEX AND SCHEDULES

EL0.01